

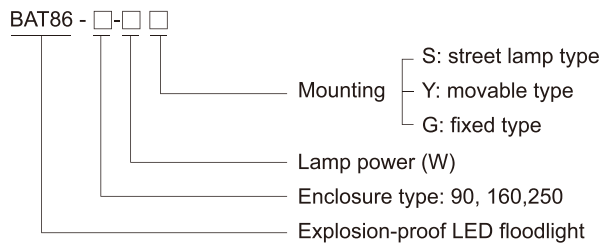
## LED Light Fittings

### BAT86 Series Explosion-proof LED Floodlights



- ◆ Explosion protection to
  - CENELEC
  - IEC
  - NEC
- ◆ Can be used in
  - Zone 1 and Zone 2
  - Zone 21 and Zone 22
  - Class I, Zone 1 and Zone 2
  - Class I, Division 1, Groups C, D
- ◆ Three enclosure types: 90, 160, 250
- ◆ Applicable lamp and power (max.250W)
  - LED: 60W, 90W, 120W, 160W, 200W, 250W
- ◆ Isolated LED lamp compartment, CC-CV (constant current - constant voltage) power controller compartment and terminal compartment; Wind-convection heat dissipation structure.
- ◆ Standard product is of floodlight effect, lens of 40° and 60° can be provided on request to realize spotlight effect.

#### Catalogue number logic



#### Selection table

Type / Ordering code	Lamp power(W)	Weight (kg)	Type / Ordering code	Lamp power(W)	Weight (kg)	Type / Ordering code	Lamp power(W)	Weight (kg)
BAT86-90-60G	60	6.70	BAT86-90-60Y	60	8.50	BAT86-90-60S	60	7.55
BAT86-90-90G	90	6.70	BAT86-90-90Y	90	8.50	BAT86-90-90S	90	7.55
BAT86-160-120G	120	8.40	BAT86-160-120Y	120	10.20	BAT86-160-120S	120	9.25
BAT86-160-160G	160	8.40	BAT86-160-160Y	160	10.20	BAT86-160-160S	160	9.25
BAT86-250-200G	200	13.50	BAT86-250-200Y	200	16.00	BAT86-250-200S	200	14.35
BAT86-250-250G	250	13.50	BAT86-250-250Y	250	16.00	BAT86-250-250S	250	14.35

**Note:** 1. The product is supplied according to "Type/Ordering code" in the table with mounting accessories.  
 2. The light fittings are supplied without lens. Lighting distribution is of floodlight. Lens of 40° and 60° can be provided on request. Please specify when ordering.

# Zones 1&2; 21&22

## LED Light Fittings

### BAT86 Series Explosion-proof LED Floodlights

#### Technical data

#### Explosion-proof LED floodlights BAT86-90-□□

##### Explosion protection

Gas explosion protection

⊕ II 2 G Ex d IIB T6 Gb

Dust explosion protection

⊕ II 2 D Ex tb IIIC T80°C Db IP66

##### Certificates

LCIE 14 ATEX 3023X; IECEx CQM 14.0008X; CU-TR

##### Conformity to standards

EN 60079-0: 2012, EN 60079-1: 2007, EN 60079-31: 2009  
IEC 60079-0: 2011, IEC 60079-1: 2007, IEC 60079-31: 2008

##### Material

Enclosure

Copper-free aluminium, powder coated surface, yellow (RAL1021)

Glass cover

Toughened glass, stands 4J impact

LED driver

Wide voltage input, CC-CV (constant current - constant voltage) output, power factor  $\geq 0.95$ , with function of distributed current, constant current, surge-proof and anti-electromagnetic interference, and protection against overcurrent, open circuit, and short circuit

Exposed fastener

Stainless steel

##### Lamp

Lamp specification

International brand of integrated LED, Multiple LED

Lamp power (W)

60W, 90W

Colour Temperature (CCT)

Cool white: 5400~6500K

Note: cool white is available in general. Warm white (2700~3500K) or nature white (4700~5400K) is optional, please specify when ordering.

##### Rated voltage

100~300V AC 50/60Hz

##### Earthing protection

M5 (internal & external earth bolts)

##### Degree of protection

IP66, IP67(optional)

##### Ambient temperature

-40°C~+55°C

##### Terminal

3 x 1.5~4mm<sup>2</sup> (L+N+PE)

##### Mounting

Movable type, fixed type, street lamp type

##### Cable entries

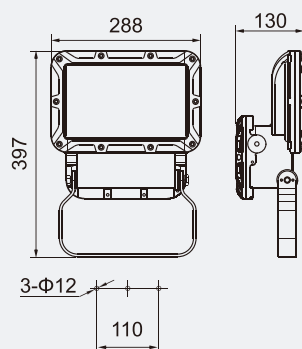
2 x M25 x 1.5 plugs

##### Cable gland

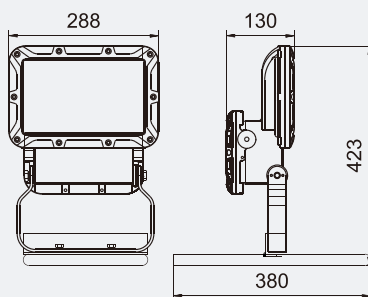
DQM-II (Ex d) or DQM-III (Ex d) is recommended. Please see P7/20~27

#### Dimension drawings (all dimensions in mm) - subject to alteration

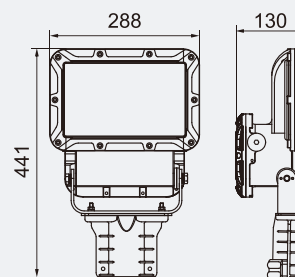
G: fixed type



Y: movable type



S: street lamp type



## LED Light Fittings

### BAT86 Series Explosion-proof LED Floodlights

#### Technical data

#### Explosion-proof LED floodlights BAT86-160-□□

##### Explosion protection

Gas explosion protection

⊕ II 2 G Ex d IIB T□<sup>1)</sup> Gb

Dust explosion protection

⊕ II 2 D Ex tb IIIC T□<sup>1)</sup> Db IP66

<sup>1)</sup> See Ambient temperature

##### Certificates

LCIE 14 ATEX 3023X; IECEx CQM 14.0008X; CU-TR

##### Conformity to standards

EN 60079-0: 2012, EN 60079-1: 2007, EN 60079-31: 2009

IEC 60079-0: 2011, IEC 60079-1: 2007, IEC 60079-31: 2008

##### Material

Enclosure

Copper-free aluminium, powder coated surface, yellow (RAL1021)

Glass cover

Toughened glass, stands 4J impact

LED driver

Wide voltage input, CC-CV (constant current - constant voltage) output, power factor  $\geq 0.95$ , with function of distributed current, constant current, surge-proof and anti-electromagnetic interference, and protection against overcurrent, open circuit, and short circuit

Exposed fastener

Stainless steel

##### Lamp

Lamp specification

International brand of integrated LED, Multiple LED

Lamp power (W)

120W, 160W

Colour Temperature (CCT)

Cool white: 5400~6500K

Note: cool white is available in general. Warm white (2700~3500K) or nature white (4700~5400K) is optional, please specify when ordering.

##### Rated voltage

100~300V AC 50/60Hz

##### Earthing protection

M5 (internal & external earth bolts)

##### Degree of protection

IP66, IP67(optional)

##### Ambient temperature

120W T6/T80°C for Tamb: -40°C~+40°C

160W T5/T95°C for Tamb: -40°C~+40°C

120W T5/T95°C for Tamb: -40°C~+55°C

160W T4/T130°C for Tamb: -40°C~+55°C

##### Terminal

3 x 1.5~4mm<sup>2</sup> (L+N+PE)

##### Mounting

Movable type, fixed type, street lamp type

##### Cable entries

2 x M25 x 1.5 plugs

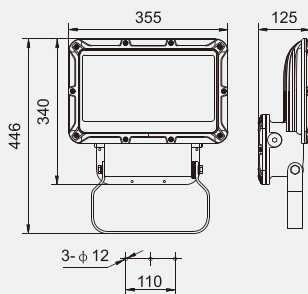
##### Cable gland

DQM-II (Ex d) or DQM-III (Ex d) is recommended. Please see P7/20~27

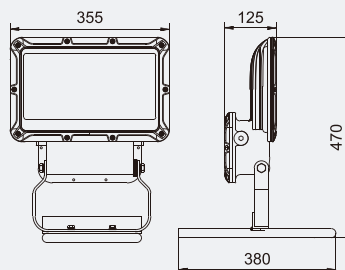


#### Dimension drawings (all dimensions in mm) - subject to alteration

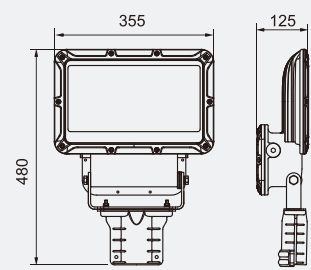
G: fixed type



Y: movable type



S: street lamp type



## LED Light Fittings

### BAT86 Series Explosion-proof LED Floodlights

#### Technical data

#### Explosion-proof LED floodlights BAT86-250-□□

##### Explosion protection

Gas explosion protection

⊕ II 2 G Ex d IIB+H<sub>2</sub> T5 Gb

Dust explosion protection

⊕ II 2 D Ex tb IIIC T95°C Db IP66

##### Certificates

LCIE 15 ATEX \_\_\_\_; IECEx

##### Conformity to standards

EN 60079-0: 2012, EN 60079-1: 2007, EN 60079-31: 2009

IEC 60079-0: 2011, IEC 60079-1: 2007, IEC 60079-31: 2008

##### Material

Enclosure

Copper-free aluminium, powder coated surface, yellow (RAL1021)

Glass cover

Toughened glass, stands 4J impact

LED driver

Wide voltage input, CC-CV (constant current - constant voltage) output, power factor  $\geq 0.95$ , with function of distributed current, constant current, surge-proof and anti-electromagnetic interference, and protection against overcurrent, open circuit, and short circuit

Exposed fastener

Stainless steel

##### Lamp

Lamp specification

International brand of integrated LED, Multiple LED

Lamp power (W)

200W, 250W

Colour Temperature (CCT)

Cool white: 5400~6500K

Note: cool white is available in general. Warm white (2700~3500K) or nature white (4700~5400K) is optional, please specify when ordering.

##### Rated voltage

100~300V AC 50/60Hz

##### Earthing protection

M5 (internal & external earth bolts)

##### Degree of protection

IP66, IP67(optional)

##### Ambient temperature

-40°C~+55°C

##### Terminal

3 x 1.5~4mm<sup>2</sup> (L+N+PE)

##### Mounting

Movable type, fixed type, street lamp type

##### Cable entries

2 x M25 x 1.5 plugs

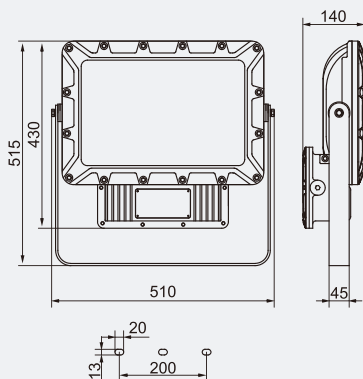
##### Cable gland

DQM-II (Ex d) or DQM-III (Ex d) is recommended. Please see P7/20~27

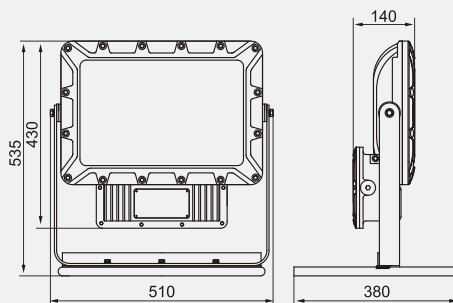


#### Dimension drawings (all dimensions in mm) - subject to alteration

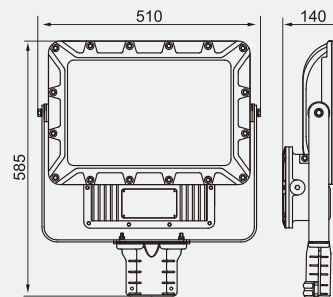
G: fixed type



Y: movable type



S: street lamp type

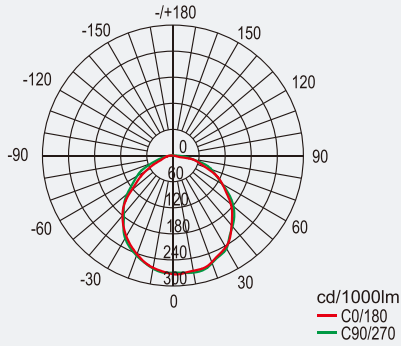


## LED Light Fittings BAT86 Series Explosion-proof LED Floodlights

**Photometric data** Note: LED luminous flux is from the standard product of which colour temperature is 5400 to 6500K (cool white).

### BAT86-90-□□

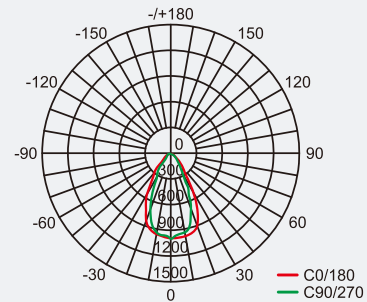
Rated luminous flux  
60W LED: 5600lm  
90W LED: 8500lm



### BAT86-90-□□(With 60° lens)

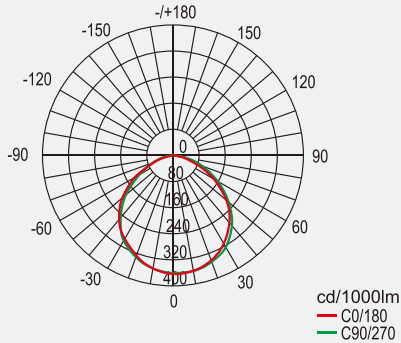
Rated luminous flux  
60W LED: 5600lm  
90W LED: 8500lm

**Note:** Lens of 40° and 25° can be provided on request.



### BAT86-160-□□

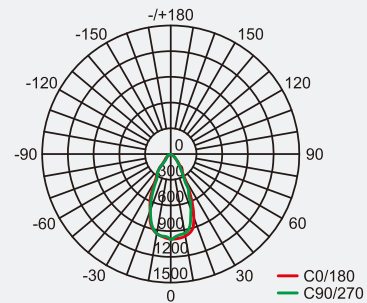
Rated luminous flux  
120W LED: 11000lm  
160W LED: 15000lm



### BAT86-160-□□(With 60° lens)

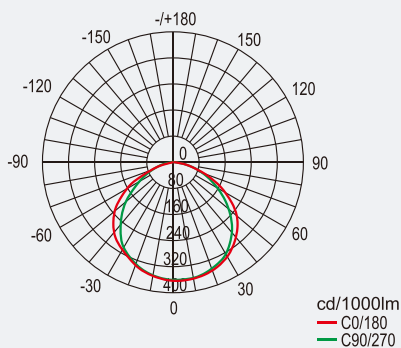
Rated luminous flux  
120W LED: 11000lm  
160W LED: 15000lm

**Note:** Lens of 40° and 25° can be provided on request.



### BAT86-250-□□

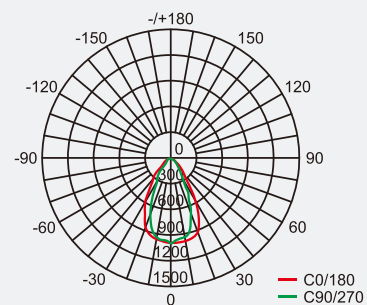
Rated luminous flux  
250W LED: 22500lm



### BAT86-250-□□(With 60° lens)

Rated luminous flux  
250W LED: 22500lm

**Note:** Lens of 40° and 25° can be provided on request.

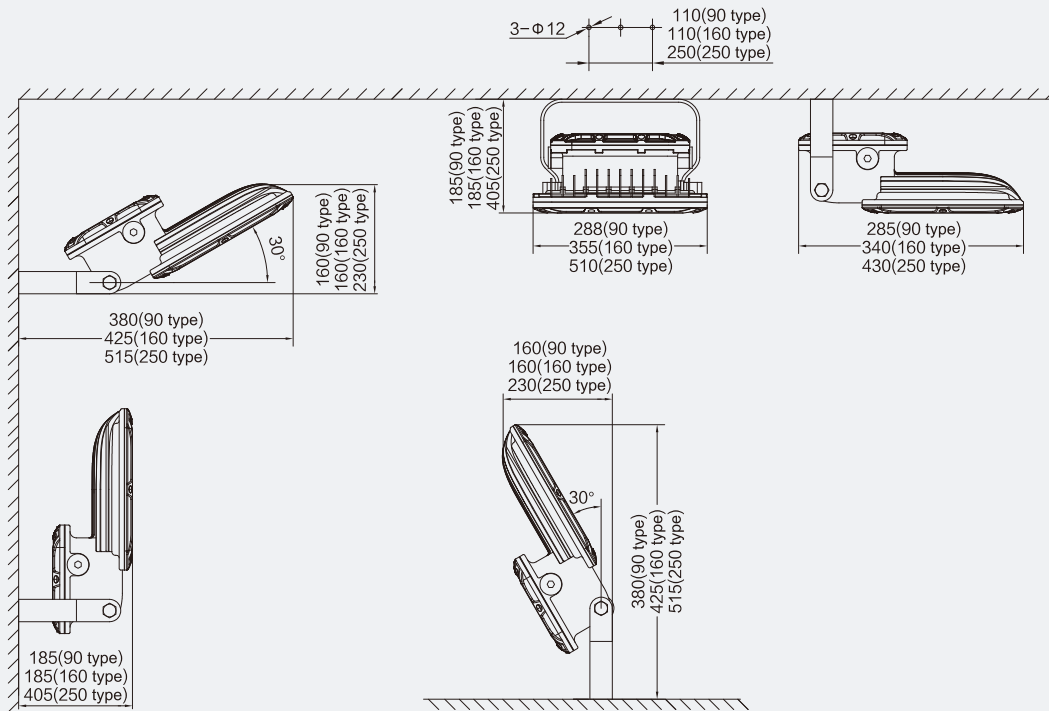


We can provide lighting design and data by professional lighting software DIALUX based upon simulated site situation on request.

## LED Light Fittings BAT86 Series Explosion-proof LED Floodlights

### Mounting type (all dimensions in mm) - subject to alteration

#### bracket type



#### street lamp type

