

Klippon® POK – Polyester enclosures

The Klippon® POK range is based on a high-quality glass fibre-reinforced polyester enclosure which represents an economical solution for electrical connections. The enclosures are ideal wherever corrosion resistance, impact resistance and a high IP protection class are required.

Features of the enclosure range:

- 17 sizes and 2 versions
- Stainless Steel lid screws
- Fixing holes located outside the sealed area
- Threaded holes for mounting rails
- Approved to the latest international standards

Our assembly service can supply these enclosures preassembled with terminals and cable glands according to customer requirements.



Overview of enclosures

Ordering data

Description	Dimensions in mm	Standard	Ex Enclosures
Klippon® POK 1	75 x 80 x 56	1277200000	9510210000
Klippon® POK 2	75 x 110 x 56	1277300000	9510220000
Klippon® POK 3	75 x 160 x 56	1277400000	9510320000
Klippon® POK 31	75 x 190 x 56	1565400000	9510330000
Klippon® POK 32	75 x 230 x 56	9510510000	9510340000
Klippon® POK 4	120 x 122 x 91	1277500000	9510230000
Klippon® POK 5	120 x 220 x 91	1277600000	9510240000
Klippon® POK 51	160 x 160 x 91	1565410000	9510250000
Klippon® POK 6	160 x 260 x 91	1277700000	9510260000
Klippon® POK 7	160 x 360 x 91	1277800000	9510270000
Klippon® POK 71	160 x 560 x 91	9510520000	9510350000
Klippon® POK 8	250 x 255 x 121	1565420000	9510280000
Klippon® POK 9	250 x 400 x 121	1565430000	9510290000
Klippon® POK 91	250 x 600 x 121	9510470000	9510300000
Klippon® POK 10	405 x 400 x 121	1565440000	9510310000
Klippon® POK 11	250 x 255 x 161	9510530000	9510360000
Klippon® POK 12	250 x 400 x 161	9510540000	9510370000

Note

Technical Overview

Features

- For use in hazardous area and industrial applications
- Extremely robust and impact resistant due to the high amount of glass fibre
- Approved to the latest international standards (e.g. ATEX, cULus, GOST)

Note The enclosure range Klippon® POK can be assembled with terminals or other approved equipment by our Application-Specific Solutions service.

Technical data

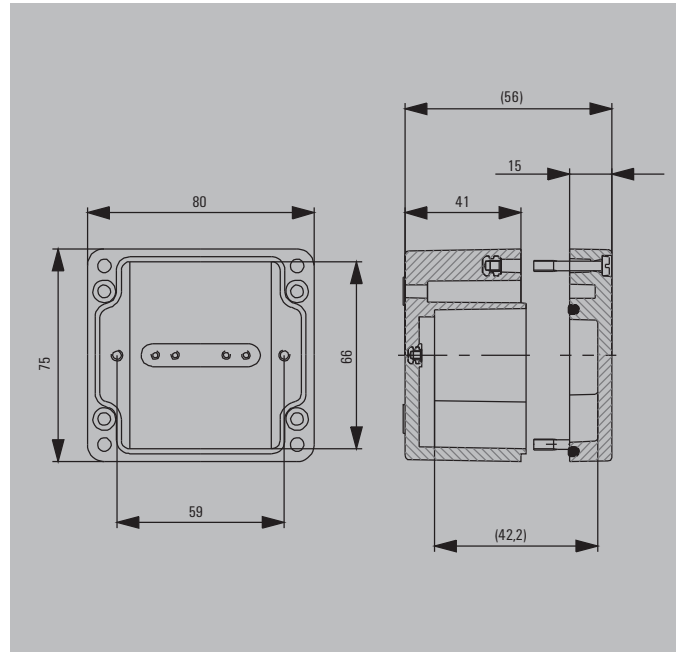
	Ex	Standard
Enclosure material	Glass fibre-reinforced polyester to DIN 16913 with added graphite	Glass fibre-reinforced polyester to DIN 16913
Surface	Black, similar to RAL 9011	Grey, similar to RAL7001
IP Rating	IP 66	IP 66
Equipment mounting	M4 to M6 threaded bushes	M4 to M6 threaded bushes
Enclosure mounting	4 holes for M4 to M6 screw	4 holes for M4 to M6 screws
Lid fixing	M4/M6 slothead / crosshead screws from stainless steel	M4/M6 slothead / crosshead screws from stainless steel
Impact Resistance	7J	7J
Gasket material	Silicone (VMQ)	Chloroprene
Temperature range	-55 °C...+100 °C	-40 °C...+90 °C
Torque screws of lid M4*	2.0 - 2.5 Nm	2.0 - 2.5 Nm
Torque screws of lid M6*	2.5 - 3.0 Nm	2.5 - 3.0 Nm
Flammability	UL94 V0	UL94 V0
Toxicity	Halogen and cadmium-free	Halogen and cadmium-free
Note	We deliver enclosures through our assembly service which are ready to be connected and suitable for every application * Depending on the screw head size, the lid can be fastened using either our slotted or cross-head screwdrivers	

Approvals for empty enclosures

	Ex	Standard
ATEX certificate	KEMA 02ATEX2078 U	
ATEX marking	II 2 GD Ex e II	
GOST Ex	POCC DE.ME92.B01149	
GOST	POCC DE.ME25.B01450	POCC DE.ME25.B01450
cULus		E 223801
Lloyds Register		07/20008
Russian Maritime Register	11040200	11040200
Germanischer Lloyd		4453607 HH
Installation	The Klippon® POK enclosure range can be pre-fitted in our customer specific production department according to your wishes; as an example, terminals, or other approved components, can be installed as required. This enclosure range is component certified. An additional certifications is required, when other electronic equipment will be installed into the enclosure.	

Approvals terminal enclosures

	Ex	Standard
ATEX certificate	KEMA 03ATEX2077	
ATEX marking	⊕ II 2 GD T85°C/T100°C Ex e II T6/T5 ⊕ II 2 (1) GD T85°C/T100°C Ex e [ia] IIC T6/T5 ⊕ II GD T85°C/T100°C Ex ia IIC T6/T5 IP64/IP65/IP66	
Note	If you have specific requirements of equipment in hazardous area applications, please contact Weidmüller to get a copy of the complete certificates.	



Height/Width/Depth 75 / 80 / 56 mm

Ordering data

RAL 7001	Standard, grey	Order No.	1277200000
RAL 9011	Ex environment enclosure, black	Order No.	9510210000

Note The overview page lists the ambient temperatures. Colour variations may occur under certain circumstances.

Accessories

Terminal rail, Set	Order No.	
15 mm width	1928060000	
Mounting plate	Steel sheet, zinc plated	9510570000
Hinge, diecast zinc, Set	1580360000	
Brass Earth Continuity Plate	1390910000	
External mounting feet, set of 4	9510900000	

Note Accessories described above as sets, are supplied with fixing materials. For this enclosure only one hinge is required to be fitted to the longest side.

Max. number of terminals (industry)

Assembly with terminal	vertical	horizontal
2.5 mm ²	1x1*	1x5
4 mm ²	1x1*	1x4
6 mm ²		
10 mm ²		
16 mm ²		



Note *Please refer to the Terminal Block Catalogue or the SAK Range for more information about populating the enclosures with terminal blocks. We recommend at most one BK 6 or BK 6 CRN (0625220000) in vertical installations. There are no pre-defined mounting points set within this enclosure for installing internal equipment in a vertical position.

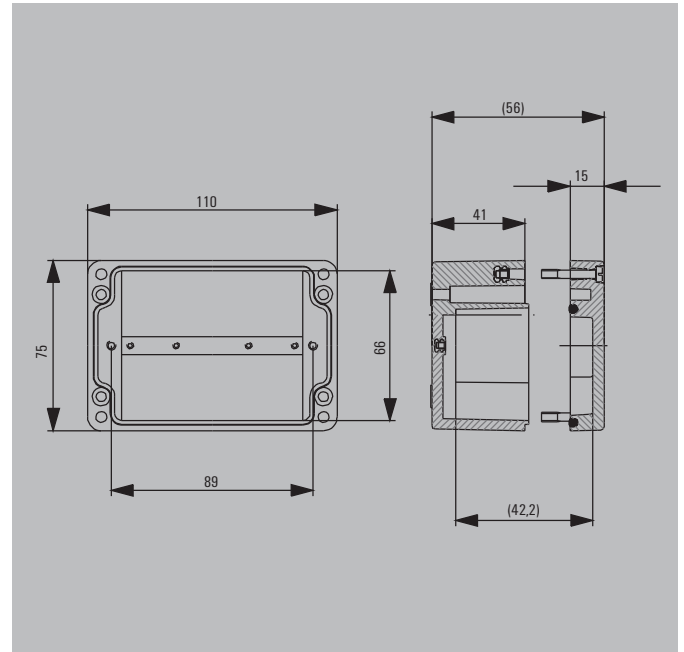
Number of cable entries

Number of cable entries	A / B	C / D
M12	4	1
M16	2	1
M20	1	1
M25	1	
M32		
M40		
M50		
M63		

Note **Our IP 68 plastic cable glands fitted without a brass plate (cruciform) serve as a reference for these recommended values.

Klippon® POK 2

Depth 56 mm



Height/Width/Depth 75 / 110 / 56 mm

Ordering data

RAL 7001	Standard, grey	Order No.
		1277300000
RAL 9011	Ex environment enclosure, black	Order No.
		9510220000

Note The overview page lists the ambient temperatures. Colour variations may occur under certain circumstances.

Accessories

Terminal rail, Set	Order No.
15 mm width	1928070000
Mounting plate	Order No.
Steel sheet, zinc plated	9510580000
Hinge, diecast zinc, Set	Order No.
	1580360000
Brass Earth Continuity Plate	Order No.
	1390920000
External mounting feet, set of 4	Order No.
	9510900000

Note Accessories described above as sets, are supplied with fixing materials. For this enclosure only one hinge is required to be fitted to the longest side.

Max. number of terminals (industry)

Assembly with terminal	vertical	horizontal
2.5 mm ²	1x1*	1x10
4 mm ²	1x1*	1x9
6 mm ²		
10 mm ²		
16 mm ²		



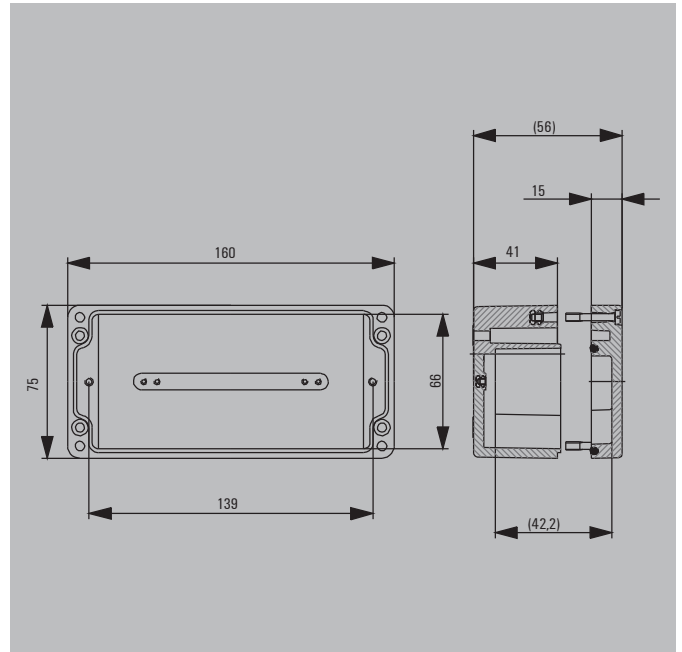
Note *Please refer to the Terminal Block Catalogue or the SAK Range for more information about populating the enclosures with terminal blocks. We recommend at most one BK 6 or BK 6 CRN (0625220000) in vertical installations. There are no pre-defined mounting points set within this enclosure for installing internal equipment in a vertical position.

Number of cable entries

Number of cable entries	A / B	C / D
M12	7	1
M16	3	1
M20	2	1
M25	2	
M32		
M40		
M50		
M63		



Note **Our IP 68 plastic cable glands fitted without a brass plate (cruciform) serve as a reference for these recommended values.



Height/Width/Depth 75 / 160 / 56 mm

Ordering data

RAL 7001	Standard, grey	Order No.
		1277400000
RAL 9011	Ex environment enclosure, black	Order No.
		9510320000

Note The overview page lists the ambient temperatures. Colour variations may occur under certain circumstances.

Accessories

Terminal rail, Set	Order No.
15 mm width	1928080000
Mounting plate	Order No.
Steel sheet, zinc plated	9510680000
Hinge, diecast zinc, Set	Order No.
	1580360000
Brass Earth Continuity Plate	Order No.
	1390930000
External mounting feet, set of 4	Order No.
	9510900000

Note Accessories described above as sets, are supplied with fixing materials. For this enclosure only one hinge is required to be fitted to the longest side.

Max. number of terminals (industry)

Assembly with terminal	vertical	horizontal
2.5 mm ²	*	1x20
4 mm ²	*	1x17
6 mm ²		
10 mm ²		
16 mm ²		



Note *Please refer to the Terminal Block Catalogue or the SAK Range for more information about populating the enclosures with terminal blocks. We recommend at most one BK 6 or BK 6 CRN (0625220000) in vertical installations. There are no pre-defined mounting points set within this enclosure for installing internal equipment in a vertical position.

Number of cable entries

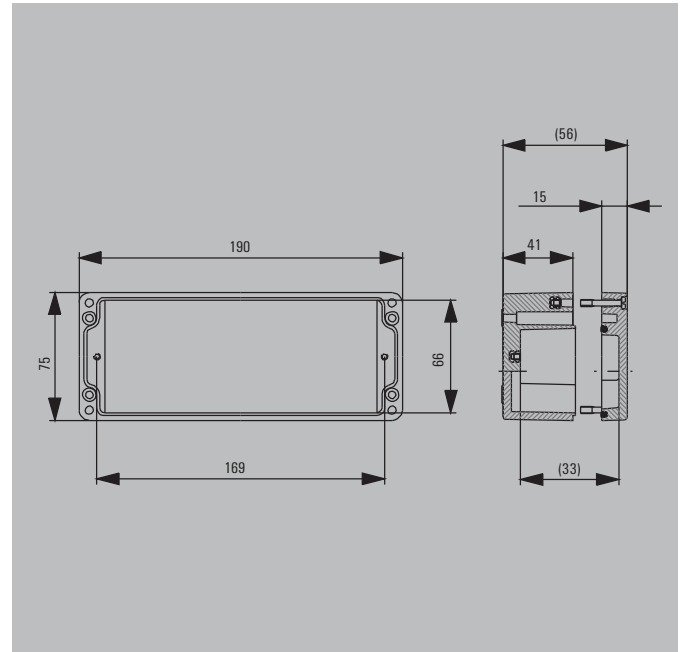
Number of cable entries	A / B	C / D
M12	11	1
M16	5	1
M20	4	1
M25	3	
M32		
M40		
M50		
M63		



Note **Our IP 68 plastic cable glands fitted without a brass plate (cruciform) serve as a reference for these recommended values.

Klippon® POK 31

Depth **56 mm**



Height/Width/Depth 75 / 190 / 56 mm

Ordering data

RAL 7001	Standard, grey	Order No.
		1565400000
RAL 9011	Ex environment enclosure, black	Order No.
		9510330000

Note The overview page lists the ambient temperatures. Colour variations may occur under certain circumstances.

Accessories

Terminal rail, Set	Order No.
15 mm width	
Mounting plate	Order No.
Steel sheet, zinc plated	9510690000
Hinge, diecast zinc, Set	Order No.
	1580360000
Brass Earth Continuity Plate	Order No.
	1390940000
External mounting feet, set of 4	Order No.
	9510900000

Note Accessories described above as sets, are supplied with fixing materials. For this enclosure only one hinge is required to be fitted to the longest side.

Max. number of terminals (industry)

Assembly with terminal	vertical	horizontal
2.5 mm ²	*	1x26
4 mm ²	*	1x22
6 mm ²		
10 mm ²		
16 mm ²		



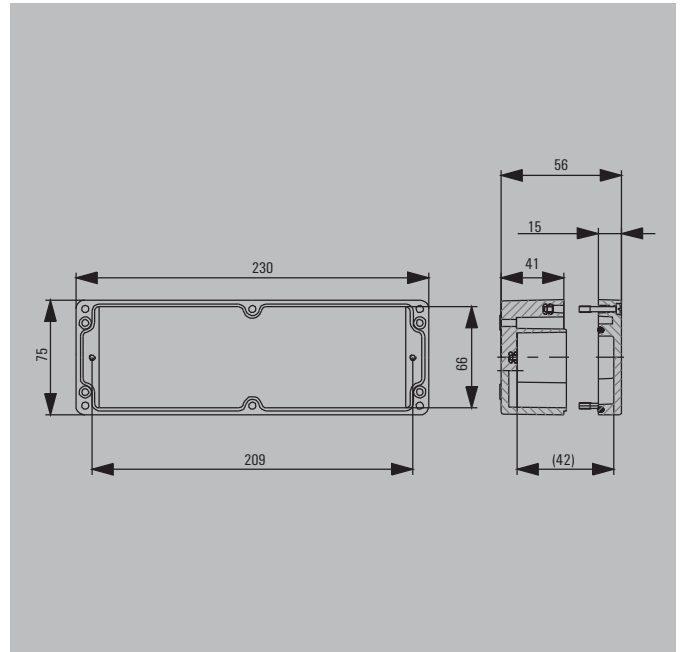
Note *Please refer to the Terminal Block Catalogue or the SAK Range for more information about populating the enclosures with terminal blocks. We recommend at most one BK 6 or BK 6 CRN (0625220000) in vertical installations. There are no pre-defined mounting points set within this enclosure for installing internal equipment in a vertical position.

Number of cable entries

Number of cable entries	A / B	C / D
M12	14	1
M16	6	1
M20	5	1
M25	4	
M32		
M40		
M50		
M63		

Note **Our IP 68 plastic cable glands fitted without a brass plate (cruciform) serve as a reference for these recommended values.





Height/Width/Depth 75 / 230 / 56 mm

Ordering data

RAL 7001	Standard, grey	Order No.	9510510000
RAL 9011	Ex environment enclosure, black	Order No.	9510340000

Note The overview page lists the ambient temperatures. Colour variations may occur under certain circumstances.

Accessories

Terminal rail, Set	15 mm width	Order No.
Mounting plate	Steel sheet, zinc plated	9510700000
Hinge, diecast zinc, Set		1580360000
Brass Earth Continuity Plate		1390950000
External mounting feet, set of 4		9510900000

Note Accessories described above as sets, are supplied with fixing materials. For this enclosure only two hinges are required to be fitted to the longest side.

Max. number of terminals (industry)

Assembly with terminal	vertical	horizontal
2.5 mm ²	*	1x33
4 mm ²	*	1x28
6 mm ²		
10 mm ²		
16 mm ²		



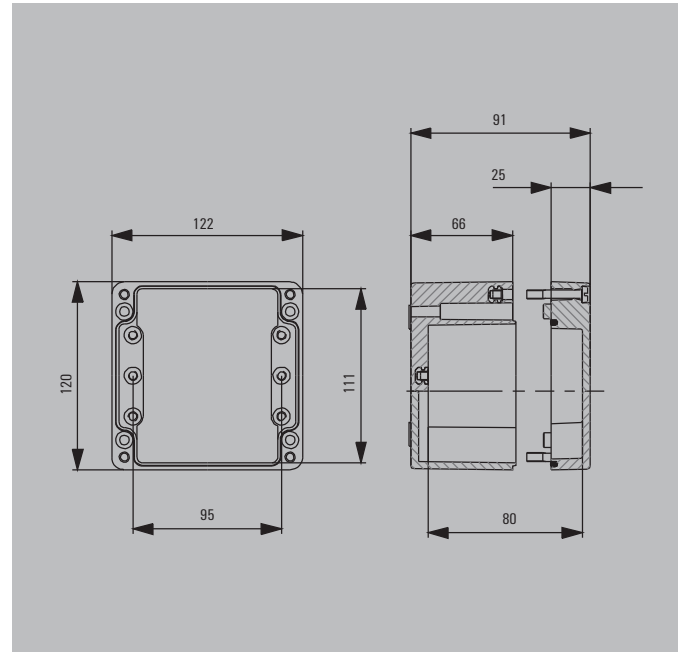
Note *Please refer to the Terminal Block Catalogue or the SAK Range for more information about populating the enclosures with terminal blocks. We recommend at most one BK 6 or BK 6 CRN (0625220000) in vertical installations. There are no pre-defined mounting points set within this enclosure for installing internal equipment in a vertical position.

Number of cable entries

Number of cable entries	A / B	C / D
M12	16	1
M16	6	1
M20	6	1
M25	4	
M32		
M40		
M50		
M63		



Note **Our IP 68 plastic cable glands fitted without a brass plate (cruciform) serve as a reference for these recommended values.



Height/Width/Depth 120 / 122 / 91 mm

Ordering data

RAL 7001	Standard, grey	Order No.	1277500000
RAL 9011	Ex environment enclosure, black	Order No.	9510230000

Note The overview page lists the ambient temperatures. Colour variations may occur under certain circumstances.

Accessories

Terminal rail, Set	Order No.
15 mm width	1928110000
Mounting plate	Order No.
Steel sheet, zinc plated	9510590000
Hinge, diecast zinc, Set	Order No.
	1580360000
Brass Earth Continuity Plate	Order No.
	1390970000
External mounting feet, set of 4	Order No.
	9510910000

Note Accessories described above as sets, are supplied with fixing materials. For this enclosure only two hinges are required to be fitted to the longest side.

Max. number of terminals (industry)

Assembly with terminal	vertical	horizontal
2.5 mm ²	*	1x12
4 mm ²	*	1x10
6 mm ²	*	1x7
10 mm ²	*	1x6
16 mm ²	*	1x5



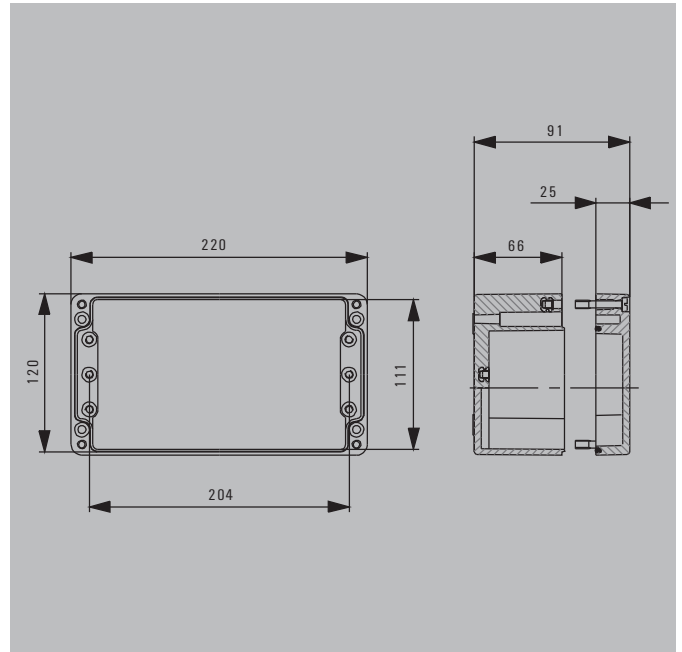
Note The mounting rails are designed to be installed directly. Assembly with terminals provides for 10 mm clearance to the ends of the mounting rail.
Ordering recommendations:
TS 35 mounting rail (screw-type terminals) WDU 2.5 1020000000 / (tension clamp terminals) ZDU 2.5 1608510000
*There are no pre-defined mounting points set within this enclosure for installing internal equipment in a vertical position.

Number of cable entries

Number of cable entries	A / B	C / D
M12	12	8
M16	6	4
M20	4	3
M25	2	1
M32	1	1
M40		
M50		
M63		



Note **Our IP 68 plastic cable glands fitted without a brass plate (cruciform) serve as a reference for these recommended values.



Height/Width/Depth 120 / 220 / 91 mm

Ordering data

RAL 7001	Standard, grey	Order No.	1277600000
RAL 9011	Ex environment enclosure, black	Order No.	9510240000

Note The overview page lists the ambient temperatures. Colour variations may occur under certain circumstances.

Accessories

Terminal rail, Set	15 mm width	Order No.
Mounting plate	Steel sheet, zinc plated	9510600000
Hinge, diecast zinc, Set		1580360000
Brass Earth Continuity Plate		1390980000
External mounting feet, set of 4		9510910000

Note Accessories described above as sets, are supplied with fixing materials. For this enclosure only two hinges are required to be fitted to the longest side.

Max. number of terminals (industry)

Assembly with terminal	vertical	horizontal
2.5 mm ²	*	1x31
4 mm ²	*	1x26
6 mm ²	*	1x19
10 mm ²	*	1x15
16 mm ²	*	1x13



Note The mounting rails are designed to be installed directly. Assembly with terminals provides for 10 mm clearance to the ends of the mounting rail.
 Ordering recommendations:
 TS 35 mounting rail (screw-type terminals) WDU 2.5 1020000000 / (tension clamp terminals) ZDU 2.5 1608510000
 *There are no pre-defined mounting points set within this enclosure for installing internal equipment in a vertical position.

Number of cable entries

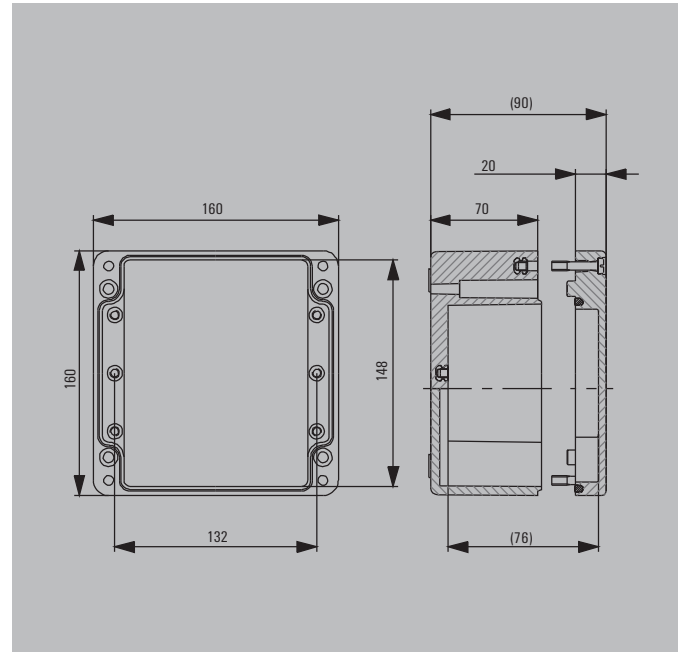
Number of cable entries	A / B	C / D
M12	24	8
M16	14	4
M20	12	3
M25	5	1
M32	4	1
M40	3	
M50		
M63		



Note **Our IP 68 plastic cable glands fitted without a brass plate (cruciform) serve as a reference for these recommended values.

Klippon® POK 51

Depth 91 mm



Height/Width/Depth 160 / 160 / 91 mm

Ordering data

RAL 7001	Standard, grey	Order No.
		1565410000
RAL 9011	Ex environment enclosure, black	Order No.
		9510250000

Note The overview page lists the ambient temperatures. Colour variations may occur under certain circumstances.

Accessories

Terminal rail, Set	Order No.
15 mm width	1928130000
Mounting plate	Order No.
Steel sheet, zinc plated	9510610000
Hinge, diecast zinc, Set	Order No.
	1580360000
Brass Earth Continuity Plate	Order No.
	1390990000
External mounting feet, set of 4	Order No.
	9510910000

Note Accessories described above as sets, are supplied with fixing materials. For this enclosure only two hinges are required to be fitted to the longest side.

Max. number of terminals (industry)

Assembly with terminal	vertical	horizontal
2.5 mm ²	*	1x17
4 mm ²	*	1x14
6 mm ²	*	1x11
10 mm ²	*	1x9
16 mm ²	*	1x7



Note The mounting rails are designed to be installed directly. Assembly with terminals provides for 10 mm clearance to the ends of the mounting rail.
Ordering recommendations:
TS 35 mounting rail (screw-type terminals) WDU 2.5 1020000000 / (tension clamp terminals) ZDU 2.5 1608510000
*There are no pre-defined mounting points set within this enclosure for installing internal equipment in a vertical position.

Number of cable entries

Number of cable entries	A / B	C / D
M12	15	11
M16	12	6
M20	6	4
M25	3	2
M32	2	2
M40	2	1
M50		
M63		



Note **Our IP 68 plastic cable glands fitted without a brass plate (cruciform) serve as a reference for these recommended values.



Height/Width/Depth 160 / 260 / 91 mm

Ordering data

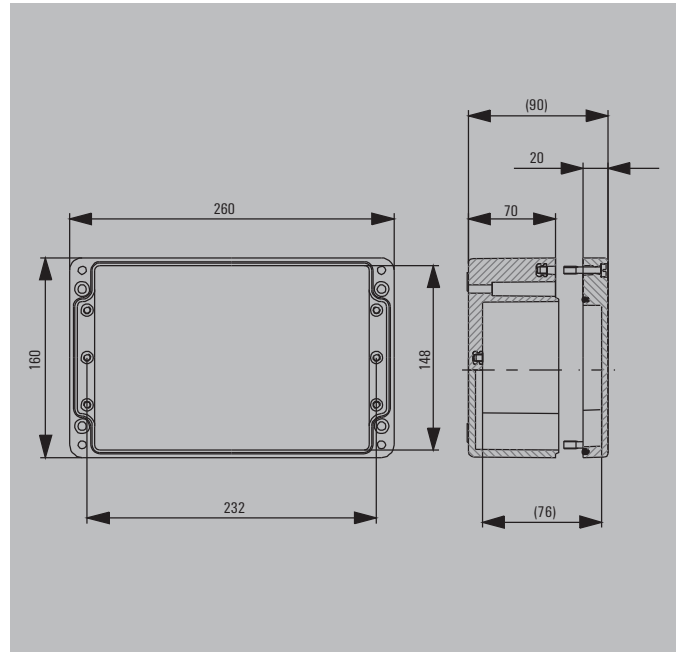
RAL 7001	Standard, grey	Order No.
		1277700000
RAL 9011	Ex environment enclosure, black	Order No.
		9510260000

Note The overview page lists the ambient temperatures. Colour variations may occur under certain circumstances.

Accessories

Terminal rail, Set	Order No.
15 mm width	
Mounting plate	Order No.
Steel sheet, zinc plated	9510620000
Hinge, diecast zinc, Set	Order No.
	1580360000
Brass Earth Continuity Plate	Order No.
	1391000000
External mounting feet, set of 4	Order No.
	9510910000

Note Accessories described above as sets, are supplied with fixing materials. For this enclosure only two hinges are required to be fitted to the longest side.



Max. number of terminals (industry)

Assembly with terminal	vertical	horizontal
2.5 mm ²	*	1x36
4 mm ²	*	1x30
6 mm ²	*	1x23
10 mm ²	*	1x16
16 mm ²	*	1x16



Note The mounting rails are designed to be installed directly. Assembly with terminals provides for 10 mm clearance to the ends of the mounting rail.
Ordering recommendations:
TS 35 mounting rail (screw-type terminals) WDU 2.5 1020000000 / (tension clamp terminals) ZDU 2.5 1608510000
*There are no pre-defined mounting points set within this enclosure for installing internal equipment in a vertical position.

Number of cable entries

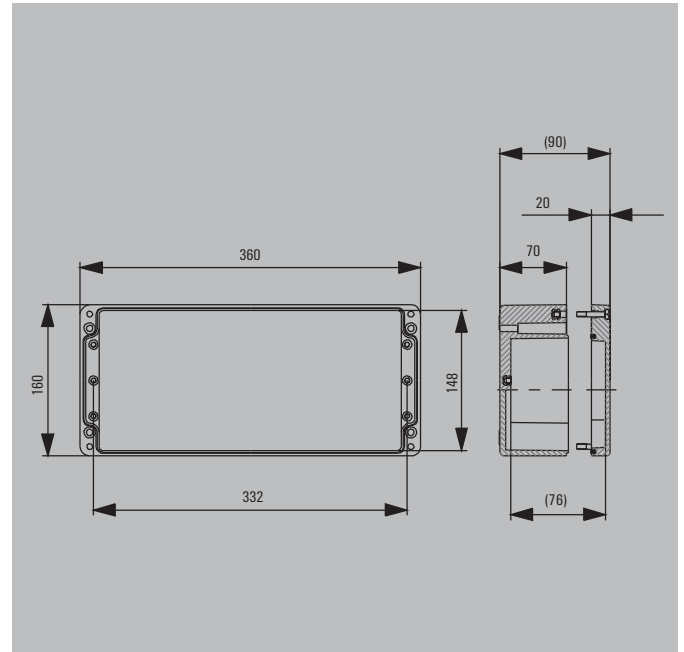
Number of cable entries	A / B	C / D
M12	30	11
M16	24	6
M20	14	4
M25	5	2
M32	4	2
M40	3	1
M50		
M63		



Note **Our IP 68 plastic cable glands fitted without a brass plate (cruciform) serve as a reference for these recommended values.

Klippon® POK 7

Depth 91 mm



Height/Width/Depth 160 / 360 / 91 mm

Ordering data

RAL 7001	Standard, grey	Order No.
		1277800000
RAL 9011	Ex environment enclosure, black	Order No.
		9510270000

Note The overview page lists the ambient temperatures. Colour variations may occur under certain circumstances.

Accessories

Terminal rail, Set	Order No.
15 mm width	
Mounting plate	Order No.
Steel sheet, zinc plated	9510630000
Hinge, diecast zinc, Set	Order No.
	1580360000
Brass Earth Continuity Plate	Order No.
	1391010000
External mounting feet, set of 4	Order No.
	9510910000

Note Accessories described above as sets, are supplied with fixing materials. For this enclosure only two hinges are required to be fitted to the longest side.

Max. number of terminals (industry)

Assembly with terminal	vertical	horizontal
2.5 mm ²	*	1x56
4 mm ²	*	1x47
6 mm ²	*	1x36
10 mm ²	*	1x29
16 mm ²	*	1x24

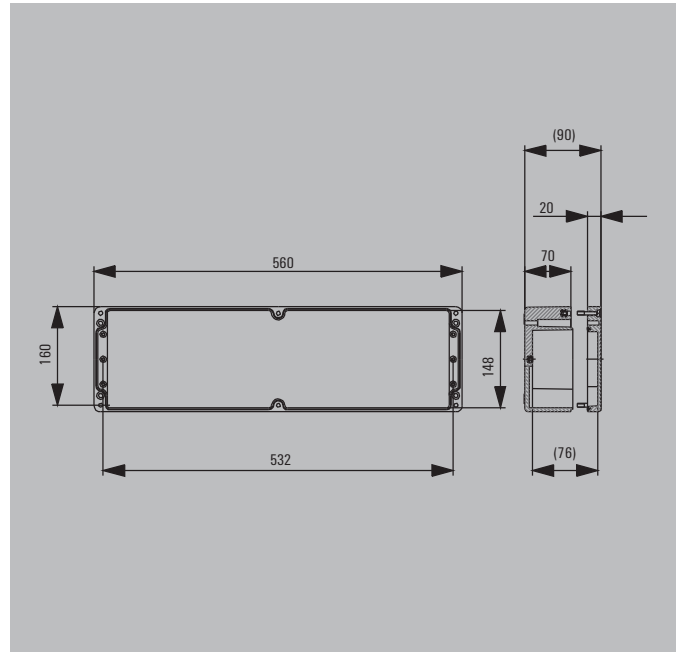


Note The mounting rails are designed to be installed directly. Assembly with terminals provides for 10 mm clearance to the ends of the mounting rail.
Ordering recommendations:
TS 35 mounting rail (screw-type terminals) WDU 2.5 1020000000 / (tension clamp terminals) ZDU 2.5 1608510000
*There are no pre-defined mounting points set within this enclosure for installing internal equipment in a vertical position.

Number of cable entries

Number of cable entries	A / B	C / D
M12	45	11
M16	36	6
M20	20	4
M25	8	2
M32	6	2
M40	5	1
M50		
M63		

Note **Our IP 68 plastic cable glands fitted without a brass plate (cruciform) serve as a reference for these recommended values.



Height/Width/Depth 160 / 560 / 91 mm

Ordering data

RAL 7001	Standard, grey	Order No.
		9510520000
RAL 9011	Ex environment enclosure, black	Order No.
		9510350000

Note The overview page lists the ambient temperatures. Colour variations may occur under certain circumstances.

Accessories

Terminal rail, Set	Order No.
15 mm width	
Mounting plate	Order No.
Steel sheet, zinc plated	9510710000
Hinge, diecast zinc, Set	Order No.
	1580360000
Brass Earth Continuity Plate	Order No.
	1391020000
External mounting feet, set of 4	Order No.
	9510910000

Note Accessories described above as sets, are supplied with fixing materials. For this enclosure only two hinges are required to be fitted to the longest side.

Max. number of terminals (industry)

Assembly with terminal	vertical	horizontal
2.5 mm ²	*	1x94
4 mm ²	*	1x79
6 mm ²	*	1x60
10 mm ²	*	1x49
16 mm ²	*	1x41



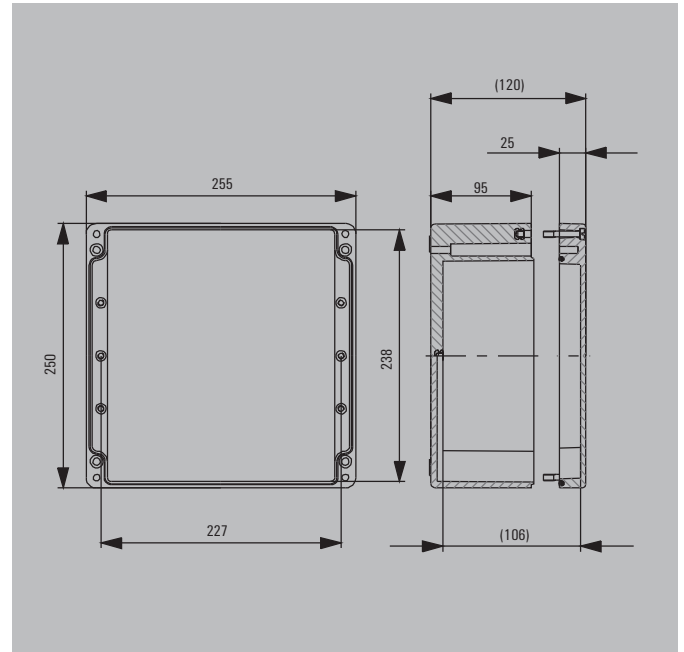
Note The mounting rails are designed to be installed directly. Assembly with terminals provides for 10 mm clearance to the ends of the mounting rail.
Ordering recommendations:
TS 35 mounting rail (screw-type terminals) WDU 2.5 1020000000 / (tension clamp terminals) ZDU 2.5 1608510000
*There are no pre-defined mounting points set within this enclosure for installing internal equipment in a vertical position.

Number of cable entries

Number of cable entries	A / B	C / D
M12	66	11
M16	58	6
M20	32	4
M25	12	2
M32	10	2
M40	8	1
M50		
M63		



Note **Our IP 68 plastic cable glands fitted without a brass plate (cruciform) serve as a reference for these recommended values.



Height/Width/Depth 250 / 255 / 121 mm

Ordering data

RAL 7001	Standard, grey	Order No.	1565420000
RAL 9011	Ex environment enclosure, black	Order No.	9510280000

Note The overview page lists the ambient temperatures. Colour variations may occur under certain circumstances.

Accessories

Terminal rail, Set	Order No.
15 mm width	
Mounting plate	Order No.
Steel sheet, zinc plated	9510640000
Hinge, diecast zinc, Set	Order No.
	1580360000
Brass Earth Continuity Plate	Order No.
	1391030000
External mounting feet, set of 4	Order No.
	9510910000

Note Accessories described above as sets, are supplied with fixing materials. For this enclosure only two hinges are required to be fitted to the longest side.

Max. number of terminals (industry)

Assembly with terminal	vertical	horizontal
2.5 mm ²	*	2x38
4 mm ²	*	2x31
6 mm ²	*	2x23
10 mm ²	*	2x19
16 mm ²	*	2x15



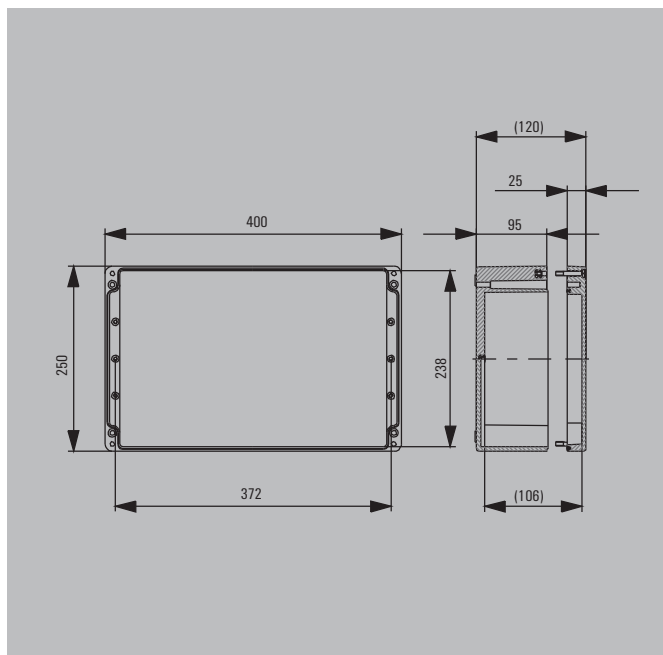
Note The mounting rails are designed to be installed directly. Assembly with terminals provides for 10 mm clearance to the ends of the mounting rail.
Ordering recommendations:
TS 35 mounting rail (screw-type terminals) WDU 2.5 1020000000 / (tension clamp terminals) ZDU 2.5 1608510000
*There are no pre-defined mounting points set within this enclosure for installing internal equipment in a vertical position.

Number of cable entries

Number of cable entries	A / B	C / D
M12	36	32
M16	32	21
M20	10	15
M25	10	8
M32	8	3
M40	3	3
M50	2	2
M63		



Note **Our IP 68 plastic cable glands fitted without a brass plate (cruciform) serve as a reference for these recommended values.



Height/Width/Depth 250 / 400 / 121 mm

Ordering data

RAL 7001	Standard, grey	Order No.	1565430000
RAL 9011	Ex environment enclosure, black	Order No.	9510290000

Note The overview page lists the ambient temperatures. Colour variations may occur under certain circumstances.

Accessories

Terminal rail, Set	15 mm width	Order No.
Mounting plate	Steel sheet, zinc plated	9510650000
Hinge, diecast zinc, Set		1580360000
Brass Earth Continuity Plate		1391040000
External mounting feet, set of 4		9510910000

Note Accessories described above as sets, are supplied with fixing materials. For this enclosure only two hinges are required to be fitted to the longest side.

Max. number of terminals (industry)

Assembly with terminal	vertical	horizontal
2.5 mm ²	*	2x67
4 mm ²	*	2x55
6 mm ²	*	2x41
10 mm ²	*	2x33
16 mm ²	*	2x27



Note The mounting rails are designed to be installed directly. Assembly with terminals provides for 10 mm clearance to the ends of the mounting rail.
Ordering recommendations:
TS 35 mounting rail (screw-type terminals) WDU 2.5 1020000000 / (tension clamp terminals) ZDU 2.5 1608510000
*There are no pre-defined mounting points set within this enclosure for installing internal equipment in a vertical position.

Number of cable entries

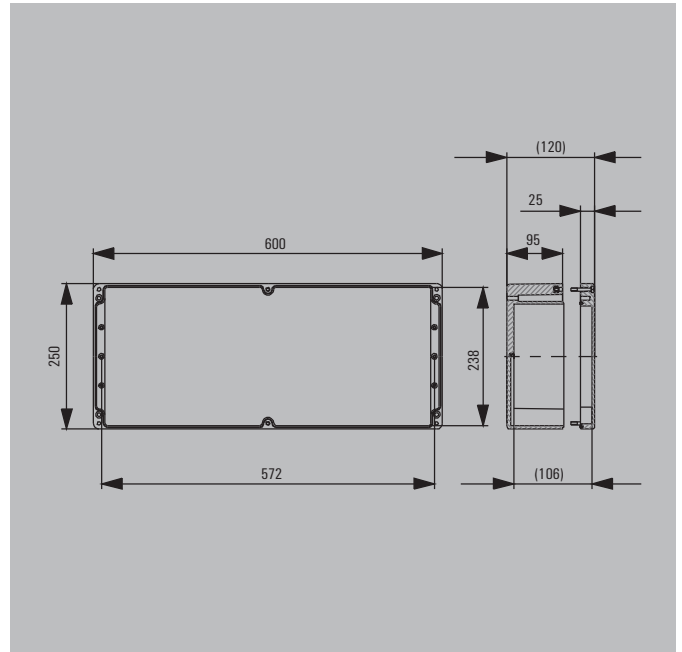
Number of cable entries	A / B	C / D
M12	62	32
M16	54	21
M20	33	15
M25	18	8
M32	14	3
M40	6	3
M50	4	2
M63		



Note **Our IP 68 plastic cable glands fitted without a brass plate (cruciform) serve as a reference for these recommended values.

Klippon® POK 91

Depth 121 mm



Height/Width/Depth 250 / 600 / 121 mm

Ordering data

RAL 7001	Standard, grey	Order No.
		9510470000
RAL 9011	Ex environment enclosure, black	Order No.
		9510300000

Note The overview page lists the ambient temperatures. Colour variations may occur under certain circumstances.

Accessories

Terminal rail, Set	Order No.
15 mm width	
Mounting plate	Order No.
Steel sheet, zinc plated	9510660000
Hinge, diecast zinc, Set	Order No.
	1580360000
Brass Earth Continuity Plate	Order No.
	1391050000
External mounting feet, set of 4	Order No.
	9510910000

Note Accessories described above as sets, are supplied with fixing materials. For this enclosure only two hinges are required to be fitted to the longest side.

Max. number of terminals (industry)

Assembly with terminal	vertical	horizontal
2.5 mm ²	*	2x107
4 mm ²	*	2x89
6 mm ²	*	2x66
10 mm ²	*	2x53
16 mm ²	*	2x44



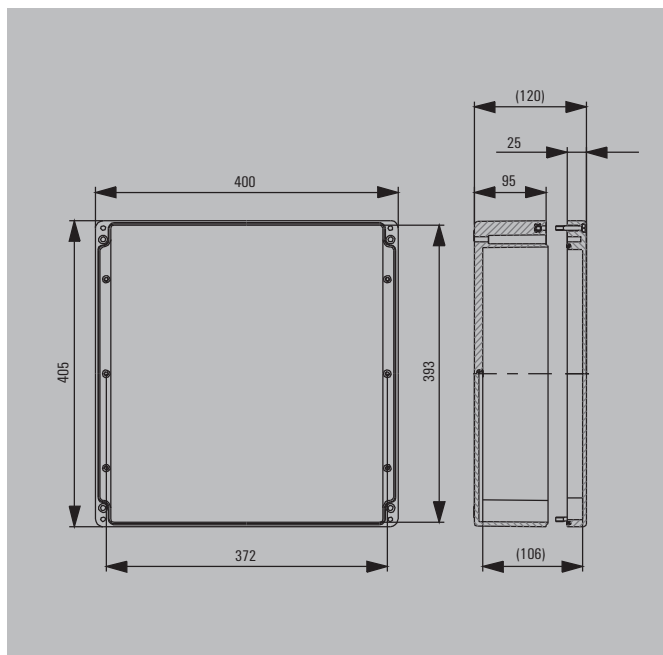
Note The mounting rails are designed to be installed directly. Assembly with terminals provides for 10 mm clearance to the ends of the mounting rail.
Ordering recommendations:
TS 35 mounting rail (screw-type terminals) WDU 2.5 1020000000 / (tension clamp terminals) ZDU 2.5 1608510000
*There are no pre-defined mounting points set within this enclosure for installing internal equipment in a vertical position.

Number of cable entries

Number of cable entries	A / B	C / D
M12	96	32
M16	80	21
M20	24	15
M25	20	8
M32	20	3
M40	8	3
M50	6	2
M63		



Note **Our IP 68 plastic cable glands fitted without a brass plate (cruciform) serve as a reference for these recommended values.



Height/Width/Depth 405 / 400 / 121 mm

Ordering data

RAL 7001	Standard, grey	Order No.	1565440000
RAL 9011	Ex environment enclosure, black	Order No.	9510310000

Note The overview page lists the ambient temperatures. Colour variations may occur under certain circumstances.

Accessories

Terminal rail, Set	15 mm width	Order No.
Mounting plate	Steel sheet, zinc plated	9510670000
Hinge, diecast zinc, Set		1580360000
Brass Earth Continuity Plate		1391070000
External mounting feet, set of 4		9510910000

Note Accessories described above as sets, are supplied with fixing materials. For this enclosure only two hinges are required to be fitted to the longest side.

Max. number of terminals (industry)

Assembly with terminal	vertical	horizontal
2.5 mm ²	*	3x67
4 mm ²	*	3x55
6 mm ²	*	3x41
10 mm ²	*	3x33
16 mm ²	*	3x27



Note The mounting rails are designed to be installed directly. Assembly with terminals provides for 10 mm clearance to the ends of the mounting rail. Ordering recommendations: TS 35 mounting rail (screw-type terminals) WDU 2.5 1020000000 / (tension clamp terminals) ZDU 2.5 1608510000 *There are no prescribed possible attachment points in the enclosures for vertical installations.

Number of cable entries

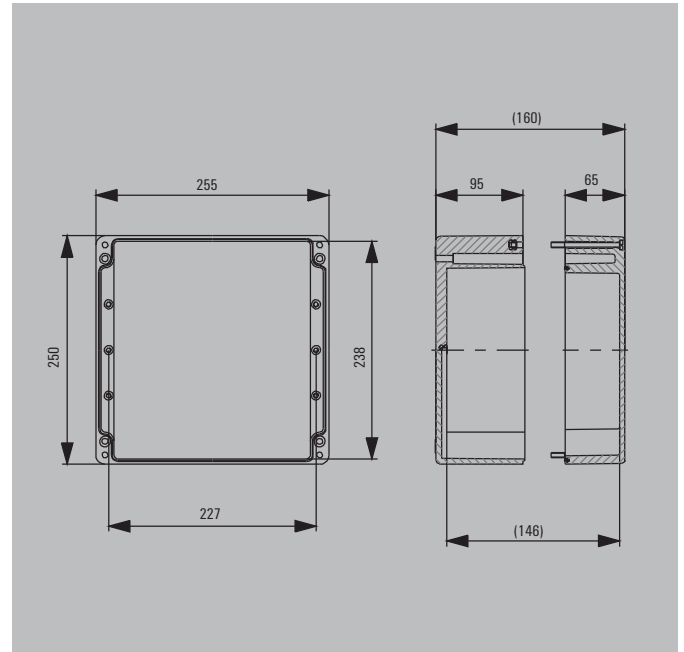
Number of cable entries	A / B	C / D
M12	62	60
M16	54	39
M20	33	30
M25	18	18
M32	14	7
M40	6	5
M50	4	4
M63		



Note **Our IP 68 plastic cable glands fitted without a brass plate (cruciform) serve as a reference for these recommended values.

Klippon® POK 11

Depth 161 mm



Height/Width/Depth 250 / 255 / 161 mm

Ordering data

RAL 7001	Standard, grey	Order No.
		9510530000
RAL 9011	Ex environment enclosure, black	Order No.
		9510360000

Note The overview page lists the ambient temperatures. Colour variations may occur under certain circumstances.

Accessories

Terminal rail, Set	Order No.
15 mm width	
Mounting plate	Order No.
Steel sheet, zinc plated	9510640000
Hinge, diecast zinc, Set	Order No.
	1580360000
Brass Earth Continuity Plate	Order No.
	1391030000
External mounting feet, set of 4	Order No.
	9510910000

Note Accessories described above as sets, are supplied with fixing materials. For this enclosure only two hinges are required to be fitted to the longest side.

Max. number of terminals (industry)

Assembly with terminal	vertical	horizontal
2.5 mm ²	*	2x38
4 mm ²	*	2x31
6 mm ²	*	2x23
10 mm ²	*	2x19
16 mm ²	*	2x15



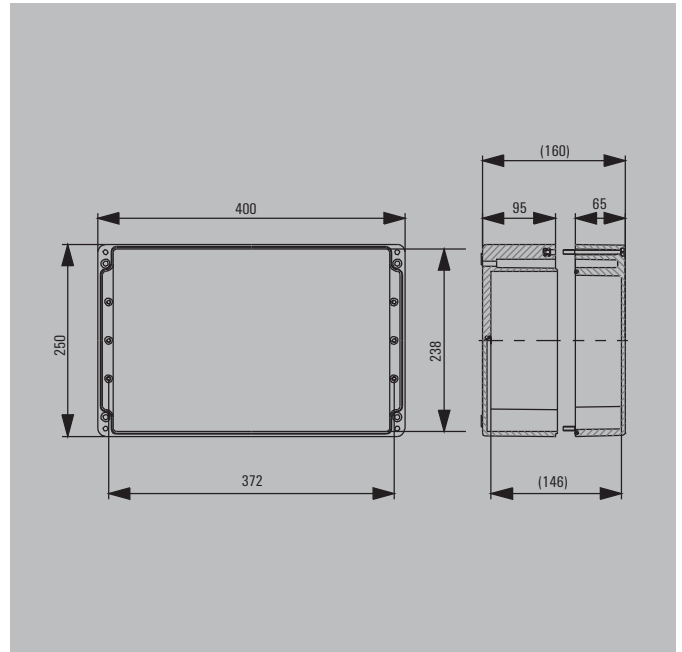
Note The mounting rails are designed to be installed directly. Assembly with terminals provides for 10 mm clearance to the ends of the mounting rail. Ordering recommendations: TS 35 mounting rail (screw-type terminals) WDU 2.5 1020000000 / (tension clamp terminals) ZDU 2.5 1608510000 *There are no prescribed possible attachment points in the enclosures for vertical installations.

Number of cable entries

Number of cable entries	A / B	C / D
M12	36	32
M16	32	21
M20	18	15
M25	10	8
M32	8	3
M40	3	3
M50	2	2
M63		



Note **Our IP 68 plastic cable glands fitted without a brass plate (cruciform) serve as a reference for these recommended values.



Height/Width/Depth 250 / 400 / 161 mm

Ordering data

RAL 7001	Standard, grey	Order No.	9510540000
RAL 9011	Ex environment enclosure, black	Order No.	9510370000

Note The overview page lists the ambient temperatures. Colour variations may occur under certain circumstances.

Accessories

Terminal rail, Set	Order No.
15 mm width	
Mounting plate	
Steel sheet, zinc plated	9510650000
Hinge, diecast zinc, Set	1580360000
Brass Earth Continuity Plate	1391040000
External mounting feet, set of 4	9510910000

Note Accessories described above as sets, are supplied with fixing materials. For this enclosure only two hinges are required to be fitted to the longest side.

Max. number of terminals (industry)

Assembly with terminal	vertical	horizontal
2.5 mm ²	*	2x67
4 mm ²	*	2x55
6 mm ²	*	2x41
10 mm ²	*	2x33
16 mm ²	*	2x27



Note The mounting rails are designed to be installed directly. Assembly with terminals provides for 10 mm clearance to the ends of the mounting rail. Ordering recommendations: TS 35 mounting rail (screw-type terminals) WDU 2.5 1020000000 / (tension clamp terminals) ZDU 2.5 1608510000 *There are no prescribed possible attachment points in the enclosures for vertical installations.

Number of cable entries

Number of cable entries	A / B	C / D
M12	62	32
M16	54	21
M20	33	15
M25	18	8
M32	14	3
M40	6	3
M50	4	2
M63		






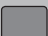

Note **Our IP 68 plastic cable glands fitted without a brass plate (cruciform) serve as a reference for these recommended values.

Standardised distribution boxes – Product overview: Polyester enclosure

Use the product overview to find the right solution for you! Combine your own industrial version consisting of an enclosure, with or without threaded holes, a suitable mounting rail or pre-fitted terminal strips. The compatible components are always shown in a row.

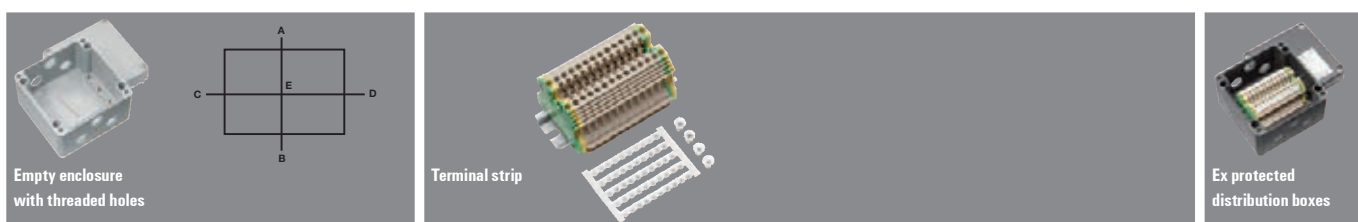
Distribution boxes with Ex protection for use in explosive areas can be found in the last column. They come with threaded holes and are already equipped with a terminal strip.

Polyester enclosure

Dimensions of the enclosure height x width x depth mm	Enclosure type	Empty enclosure without threaded holes		Mounting rail (TS) Mounting plate (MOPL)		Order No.	Qty.
		Order No.	Qty.	Type	Length mm		
Polyester, RAL 7001							
75 x 80 x 56 	Klippon® POK 1	1277200000	1	TS 15	68	4.5 x 20	1928060000 1
75 x 110 x 56 	Klippon® POK 2	1277300000	1	TS 15	98	4.5 x 20	1928070000 1
75 x 160 x 56 	Klippon® POK 3	1277400000	1	TS 15	147	4.5 x 20	1928080000 1
120 x 122 x 91 	Klippon® POK 4	1277500000	1	TS 35	105	6.3 x 20	1910070000 1
160 x 160 x 91 	Klippon® POK 51	1565410000	1	TS 35	140	6.3 x 20	1910100000 1
		protection class IP 66		suitable for the enclosure of the respective line			

¹⁾ Multi-pole terminal blocks (block terminals BK 4, BK 6 or BK 12) can be directly fitted

²⁾ Space for further threaded holes up to M32



Threaded hole Side A	Threaded hole Side B	Order No.	Qty.	Connection technology	Cross-section mm ²	Number of DU*	Number of PE*	Order No.	Qty.	Order No.
----------------------	----------------------	-----------	------	-----------------------	-------------------------------	---------------	---------------	-----------	------	-----------

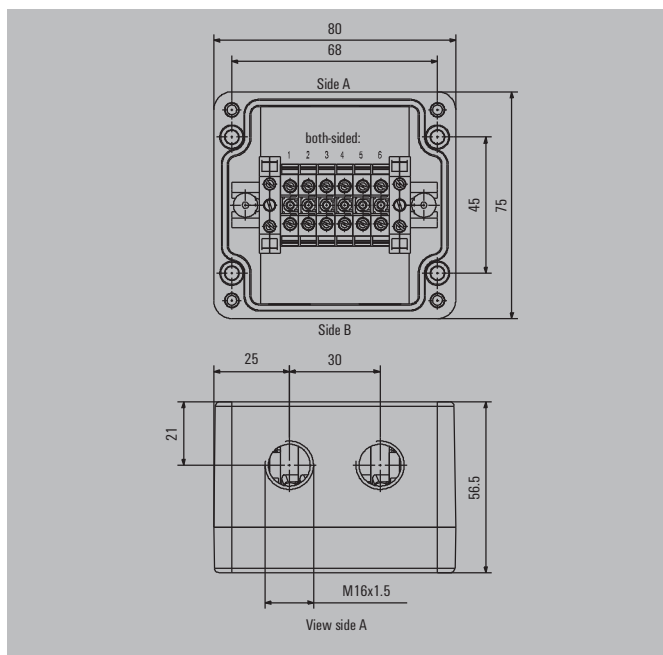
2x M16	2x M16	8000004160	1	Screw connection	4	4	0	8000004365 ¹⁾	1	8000004222
2x M16	2x M16			Screw connection	4	6	2	8000004144	1	8000004223
2x M20	2x M20	8000004161	1	Screw connection	4	6	0	8000004366 ¹⁾	1	8000004224
2x M20	2x M20			Screw connection	4	10	2	8000004145	1	8000004225
4x M20	4x M20	8000004162	1	Screw connection	4	12	0	8000004367 ¹⁾	1	8000004226
4x M20	4x M20			Screw connection	4	18	2	8000004146	1	8000004228
3x M20	3x M20	8000003448	1	Screw connection	4	12	2	8000003444	1	8000003593
3x M20	3x M20			Tension clamp connection	4	9	2	8000003445	1	8000003594
4x M20	4x M20	8000004164 ²⁾	1	Screw connection	4	16	2	8000004142	1	8000004229
4x M20	4x M20			Tension clamp connection	2.5	19	2	8000004143	1	8000004230

suitable for the enclosures of the respective line
 *DU = feed-through terminals, PE = PE terminals


Ex enclosure with an external earthing connection, holes and strip terminals in each row



Height / Width / Depth 75 / 80 / 56 mm



Accessories

Stopping plugs	Order No.
 KSPM M16 PL	1209890000
VP M16-EXE MS	1737140000

Empty enclosure with tapped holes

Drill holes side A	Drill holes side B	Order No.
2 x M16x1.5	2 x M16x1.5	8000004160

Note Enclosures are delivered in RAL 7001.

Note You can find markers and labels in the Terminal Block Catalogue. Wall-mounted holders can be found in Chapter B under Klippon® POK

Terminal block, suitable for empty enclosure

Type	Type of connection	Conductor can be clamped	Rated cross-section	No. of DU*	No. of PE*	Order No.
BK 4/E	Screw connection	Solid / stranded Flexible / flexible with wire-end ferrule	0.5...4 mm ² / 1.5...4 mm ² 0.5...4 mm ² / 0.5...4 mm ²	4	0	8000004365
AKZ 4	Screw connection	Solid / stranded Flexible / flexible with wire-end ferrule	0.5...6 mm ² / 1.5...4 mm ² 0.5...4 mm ² / 0.5...2.5 mm ²	6	2	8000004144

Note Markers numbered 1-50 (horizontal text) and mounting screws are included in the delivery.
*DU = feed-through terminals, PE = PE terminals

Distribution box with ATEX II 2GD T85°C Ex e II T6

Drill holes side A	Drill holes side B	No. of DU*	No. of PE*	Order No.
2 x M16x1.5	2 x M16x1.5	6	2	8000004223
2 x M16x1.5	2 x M16x1.5	4	0	8000004222

Note Enclosures are delivered in RAL 9011.
*DU = feed-through terminals, PE = PE terminals

Terminal rail / mounting plate set

Product type	Type	Length	Order No.
Mounting rail	TS15 68 Klippon POK1 CSS	68 mm	1928060000

Note Supplied with mounting screws for the mounting rail or mounting plate

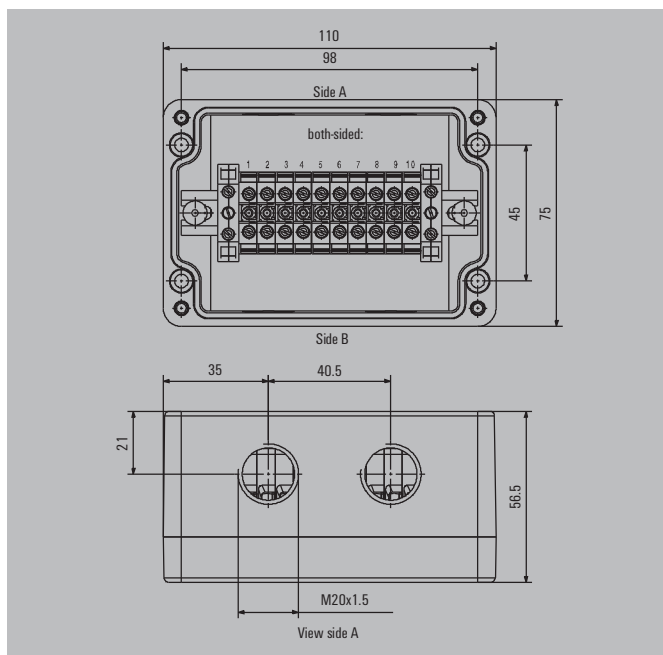


Klippon® POK2

56 mm



Height / Width / Depth 75 / 110 / 56 mm



Empty enclosure with tapped holes

	Drill holes side A	Drill holes side B	Order No.
	2 x M20x1.5	2 x M20x1.5	8000004161

Note Enclosures are delivered in RAL 7001.

Accessories

		Order No.
	KSG M20 BN O NI 2 G20	1911560000
	KSPM M20 PL	1209910000
	VP M20-EXE MS	1737150000
	ADAP EX M20-M16	1737560000

Note You can find markers and labels in the Terminal Block Catalogue. Wall-mounted holders can be found in Chapter B under Klippon® POK

Terminal block, suitable for empty enclosure

	Type	Type of connection	Conductor can be clamped	Rated cross-section	No. of DU*	No. of PE*	Order No.
	BK 6/E	Screw connection	Solid / stranded	0.5...4 mm ² / 1.5...4 mm ²	6	0	8000004366
			Flexible / flexible with wire-end ferrule	0.5...4 mm ² / 0.5...4 mm ²			
	AKZ 4	Screw connection	Solid / stranded	0.5...6 mm ² / 1.5...4 mm ²	10	2	8000004145
			Flexible / flexible with wire-end ferrule	0.5...4 mm ² / 0.5...2.5 mm ²			

Note Markers numbered 1-50 (horizontal text) and mounting screws are included in the delivery. *DU = feed-through terminals, PE = PE terminals

Distribution box with ATEX II 2GD T85°C Ex e II T6

Drill holes side A	Drill holes side B	No. of DU*	No. of PE*	Order No.
2 x M20x1.5	2 x M20x1.5	10	2	8000004225
2 x M20x1.5	2 x M20x1.5	6	0	8000004224

Note Enclosures are delivered in RAL 9011. *DU = feed-through terminals, PE = PE terminals

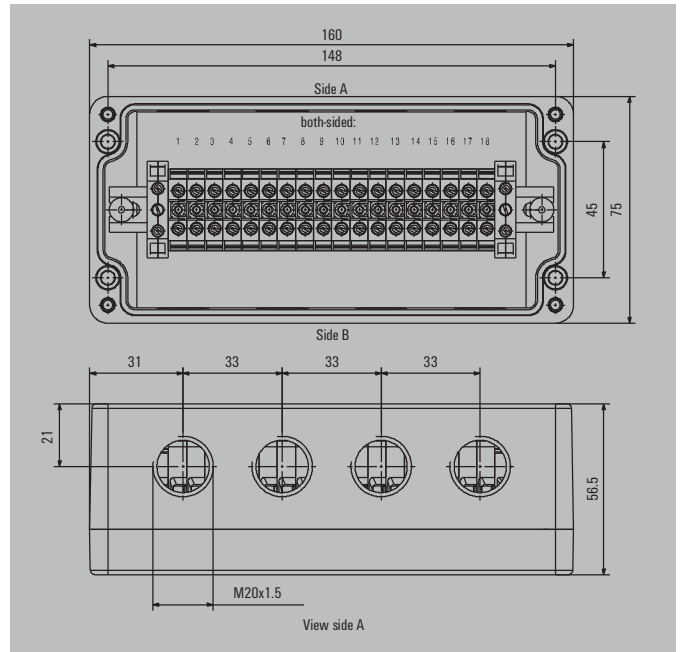
Terminal rail / mounting plate set

Product type	Type	Length	Order No.	
	Mounting rail	TS15 98 Klippon POK2 CSS	98 mm	1928070000

Note Supplied with mounting screws for the mounting rail or mounting plate



Height / Width / Depth 75 / 160 / 56 mm



Empty enclosure with tapped holes

	Drill holes side A	Drill holes side B	Order No.
	4 x M20x1.5	4 x M20x1.5	8000004162

Note Enclosures are delivered in RAL 7001.

Accessories

Cable glands		Order No.
	KSG M20 BN O NI 2 G20	1911560000
Stopping plugs		
	KSPM M20 PL	1209910000
	VP M20-EXE MS	1737150000
Adapters		
	ADAP EX M20-M16	1737560000

Note You can find markers and labels in the Terminal Block Catalogue. Wall-mounted holders can be found in Chapter B under Klippon® POK

Terminal block, suitable for empty enclosure

Type	Type of connection	Conductor can be clamped	Rated cross-section	No. of DU*	No. of PE*	Order No.
	BK 12/E Screw connection	Solid / stranded Flexible / flexible with wire-end ferrule	0.5...4 mm ² / 1.5...4 mm ² 0.5...4 mm ² / 0.5...4 mm ²	12	0	8000004367
	AKZ 4 Screw connection	Solid / stranded Flexible / flexible with wire-end ferrule	0.5...6 mm ² / 1.5...4 mm ² 0.5...4 mm ² / 0.5...2.5 mm ²	18	2	8000004146

Note Markers numbered 1-50 (horizontal text) and mounting screws are included in the delivery.
*DU = feed-through terminals, PE = PE terminals

Distribution box with ATEX II 2GD T85°C Ex e II T6

Drill holes side A	Drill holes side B	No. of DU*	No. of PE*	Order No.
4 x M20x1.5	4 x M20x1.5	18	2	8000004228
4 x M20x1.5	4 x M20x1.5	12	0	8000004226

Note Enclosures are delivered in RAL 9011.
*DU = feed-through terminals, PE = PE terminals

Terminal rail / mounting plate set

Product type	Type	Length	Order No.
	Mounting rail TS15 147 Klippon POK3 CSS	147 mm	1928080000

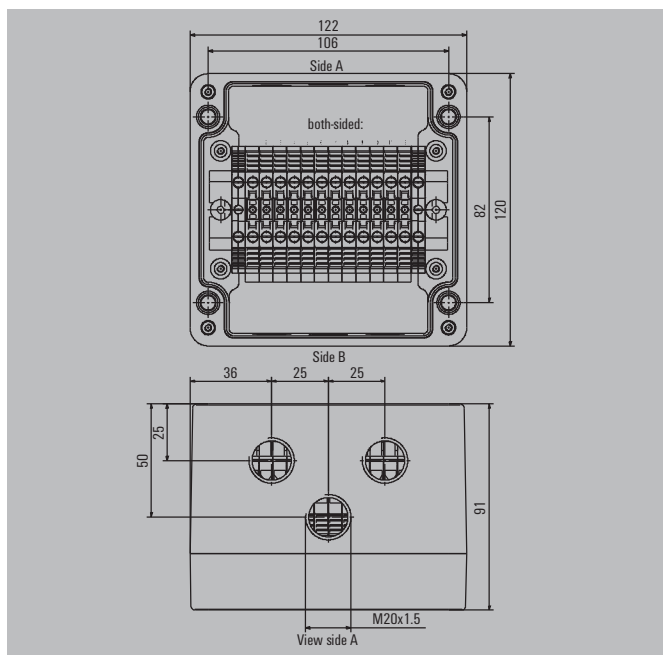
Note Supplied with mounting screws for the mounting rail or mounting plate

Klippon® POK4

91 mm



Height / Width / Depth 120 / 122 / 91 mm



Empty enclosure with tapped holes

	Drill holes side A	Drill holes side B	Order No.
	3 x M20x1.5	3 x M20x1.5	8000003448

Note Enclosures are delivered in RAL 7001.

Accessories

Cable glands		Order No.
	KSG M20 BN O NI 2 G20	1911560000
Stopping plugs		Order No.
	KSPM M20 PL	1209910000
	VP M20-EXE MS	1737150000
Adapters		Order No.
	ADAP EX M20-M16	1737560000

Note You can find markers and labels in the Terminal Block Catalogue. Wall-mounted holders can be found in Chapter B under Klippon® POK

Terminal block, suitable for empty enclosure

Type	Type of connection	Conductor can be clamped	Rated cross-section	No. of DU*	No. of PE*	Order No.
	ZDU 4-2/3AN	Tension clamp connection	Solid / stranded	0.5..6 mm ² / ...	9	2
			Flexible / flexible with wire-end ferrule	0.5..4 mm ² / 0.5..4 mm ²		
WDU 4	Screw connection	Solid / stranded	0.5..6 mm ² / 1.5..6 mm ²	12	2	8000003444
		Flexible / flexible with wire-end ferrule	0.5..6 mm ² / 0.5..4 mm ²			

Note Markers numbered 1-50 (horizontal text) and mounting screws are included in the delivery. *DU = feed-through terminals, PE = PE terminals

Distribution box with ATEX II 2GD T85°C Ex e II T6

Drill holes side A	Drill holes side B	No. of DU*	No. of PE*	Order No.
3 x M20x1.5	3 x M20x1.5	12	2	8000003593
3 x M20x1.5	3 x M20x1.5	9	2	8000003594

Note Enclosures are delivered in RAL 9011. *DU = feed-through terminals, PE = PE terminals

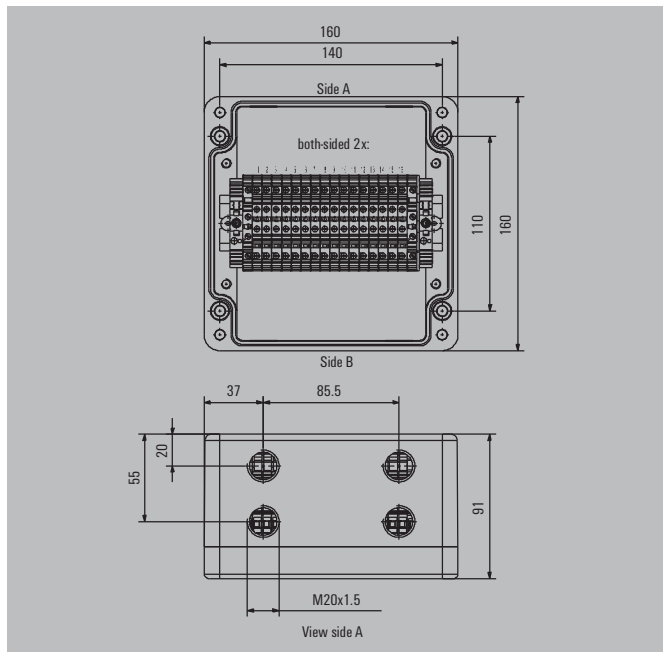
Terminal rail / mounting plate set

Product type	Type	Length	Order No.
	TS35 105 Klippon K41/POK4	105 mm	1910070000

Note Supplied with mounting screws for the mounting rail or mounting plate



Height / Width / Depth 160 / 160 / 91 mm






Empty enclosure with tapped holes

	Drill holes side A	Drill holes side B	Order No.
	4 x M20x1.5	4 x M20x1.5	8000004164


Note Enclosures are delivered in RAL 7001. Space for further holes up to M40 is available.

Accessories

		Order No.
	KSG M20 BN O NI 2 G20	1911560000
	KSPM M20 PL	1209910000
	VP M20-EXE MS	1737150000
	ADAP EX M20-M16	1737560000

Note You can find markers and labels in the Terminal Block Catalogue. Wall-mounted holders can be found in Chapter B under Klippon® POK

Terminal block, suitable for empty enclosure

	Type	Type of connection	Conductor can be clamped	Rated cross-section	No. of DU*	No. of PE*	Order No.
	ZDK 2.5	Tension clamp connection	Solid / stranded Flexible / flexible with wire-end ferrule	0.5...2.5 mm ² / ... 0.5...2.5 mm ² / 0.5...2.5 mm ²	19	2	8000004143
	WDK 4N	Screw connection	Solid / stranded Flexible / flexible with wire-end ferrule	0.5...6 mm ² / 1.5...6 mm ² 0.5...4 mm ² / 0.5...4 mm ²	16	2	8000004142

Note Markers numbered 1-50 (horizontal text) and mounting screws are included in the delivery.
*DU = feed-through terminals, PE = PE terminals

Distribution box with ATEX II 2GD T85°C Ex e II T6

Drill holes side A	Drill holes side B	No. of DU*	No. of PE*	Order No.
4 x M20x1.5	4 x M20x1.5	16	2	8000004229
4 x M20x1.5	4 x M20x1.5	19	2	8000004230



Note Enclosures are delivered in RAL 9011.
*DU = feed-through terminals, PE = PE terminals

Terminal rail / mounting plate set

Product type	Type	Length	Order No.
 Mounting rail	TS35/140 Klippon K52 POK51	140 mm	1910100000

Note Supplied with mounting screws for the mounting rail or mounting plate