

WELLGLASS

EV.. Series - H.I.D. well glass lighting fixture



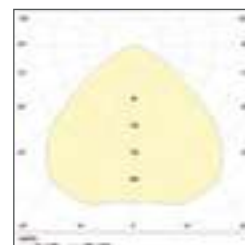
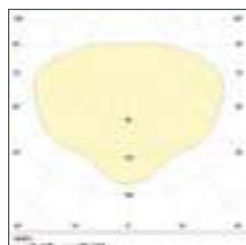
EV.. series well glass lighting fixtures are suitable for hazardous areas of industrial plants for lighting of indoor and outdoor structures, for which narrow or wide beam lighting is needed.

These luminaries have been designed to house built-in control gears for high intensity discharge lamps, mercury vapour, metal halide and high pressure sodium; light source can be driven where required by way of suitable reflectors.

EV.. H.I.D. luminaries, provided in a wide range of wattage, have an excellent corrosion resistance due to the body made of aluminium with low content of copper and tempered glass of lamp compartment.

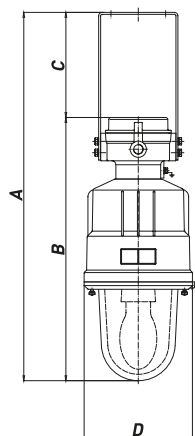
TECHNICAL FEATURES

Material	Aluminium with low content of copper	
IP rating	IP66	
Ambient temperature range	-52°C to +60°C	
Approvals	Certified 01ATEX0019X, IECEx INE 15.0031X, TR CU (marking upon request, ordering code to be required)	
Marking	ATEX II 2 GD Ex d IIC T(**) Gb for all EV.. Ex de IIC T(**) Gb for all EVde.. Ex tb IIIC T(**) Db IP66 ** T4/T135 °C ; T3/200°C	IEC-Ex Ex db IIC T(**) Gb Ex db e IIC T(**) Gb Ex tb IIIC T(**) Db IP66
Gaskets	O-ring made of Nitrile Rubber (NBR)	
Surface treatment	Green colour polyurethane painting cycle RAL6003 (other colour available upon request)	
Entries	N° 2 entries M25x1,5 (EVde and EVCC version) / N° 1 entry M25x1,5 (EVA version) / (plugs and cable glands excluded)	
Hardware and screws	AISI304 Stainless steel external hardware and screws	
Lamps	Included	
Ballast	Electromechanical ballast	
Rated operation voltage (UE)	230 V (standard) / 220 V, 240 V, 250 V, 277 V (upon request)	
Frequency	50 Hz (standard) / 60 Hz (upon request)	
Accessories available upon request	Protection guard / Reflector / Pole mounting kit (EVde version)	
Options upon request	<div style="background-color: red; color: white; padding: 5px;"> <p>HOT INSTANT RESTRIKE solution available via twin-arc lamp assuring immediate hot instant restrike ignition with flux that will reach 80% of the nominal lamp flux in about 3 minutes.</p> <p>HOT INSTANT RESTRIKE solution also available via INSTANT RESTRIKE BALLAST, assuring immediate hot instant restrike ignition with 80% of the lamp nominal flux in 7 seconds. (for high pressure sodium version)</p> </div>	
Photometric light curves	EV..2/3/4 with REV reflector	EV..-4/5 with REVD reflector

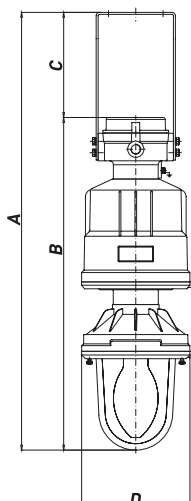


Dimensions EVde (H.I.D.)

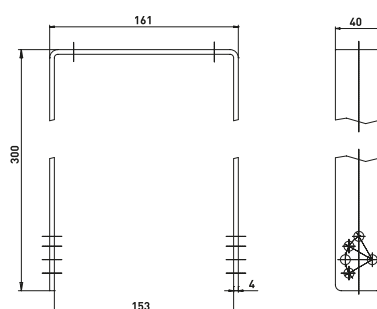
TAB. A-1



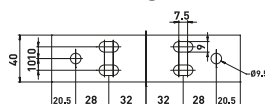
TAB. A-2



Bracket details



Bracket fixing details



- Adjustable fixing facility

EVde well glass lighting fixtures

EVde version, with integrated Ex e junction box, allows end users and contractors the possibility to save one junction box, two cable glands and a minimum of 30 minutes of labour during installation process.

This version is supplied complete with an adjustable AISI304 stainless steel mounting bracket suitable for ceiling, wall and suspension installation.

(NA) High pressure sodium

TYPE	CODE	LAMP [W]	WEIGHT [Kg]	TEMP. CLASS	DIMENSIONS [mm]				DRAWING
					A	B	C	D	
EVDE-2/NA-B 50	A041121F01114	50**	6.00	T3*	680	466	214	162	TAB. A-1
EVDE-3/NA-B 50	A041131F01114	50	6.00	T3*	686	472	214	194	TAB. A-1
EVDE-2/NA-B 70	A041121H01114	70**	6.00	T3*	680	466	214	162	TAB. A-1
EVDE-3/NA-B 70	A041131H01114	70	7.40	T3*	686	472	214	194	TAB. A-1
EVDE-4/NA-B 100	A041141101114	100	7.60	T3*	748	533	214	220	TAB. A-1
EVDE-4/NA-B 150	A041141151114	150	8.40	T3*	748	533	214	220	TAB. A-1
EVDE-4/NA-B 250	A041141251114	250	15.00	T3	890	676	214	220	TAB. A-1
EVDE-5/NA-B 250	A041151251114	250	16.70	T3*	970	756	214	281	TAB. A-2
EVDE-5/NA-B 400	A041151401114	400	18.00	T3	970	756	214	281	TAB. A-2

* With micro-switch

** In case of maximum ambient temperature reach +60°C, temperature class changes into T4/T135°C (ordering code to be required)
In case of maximum ambient temperature reach +40°C, temperature class changes into T6/T85°C (ordering code to be required)

(HG) Mercury vapour

TYPE	CODE	LAMP [W]	WEIGHT [Kg]	TEMP. CLASS	DIMENSIONS [mm]				DRAWING
					A	B	C	D	
EVDE-2/HG-B 50	A042121F00114	50	6.00	T3*	680	466	214	162	TAB. A-1
EVDE-2/HG-B 80	A042121I00114	80	6.00	T3*	686	472	214	194	TAB. A-1
EVDE-3/HG-B 125	A0421311B0113	125	7.40	T3	686	472	214	194	TAB. A-1
EVDE-5/HG-B 250	A042151250114	250	15.70	T3	970	756	214	281	TAB. A-2
EVDE-5/HG-B 400	A042151400114	400	16.50	T3	970	756	214	281	TAB. A-2

*In case of maximum ambient temperature reaches +40°C and except for light/bulb oriented on top (topward), temperature class changes into T4 (ordering code to be required)

Notes:

- Below -20°C, the mercury vapour light can be used, providing they are switched on 24 hours a day
- Mercury vapour light bulb is not included (banned by the European Community)

(IM) Metal halide

TYPE	CODE	LAMP [W]	WEIGHT [Kg]	TEMP. CLASS	DIMENSIONS [mm]				DRAWING
					A	B	C	D	
EVDE-3/IM-B 70	A043131H01114	70	6.00	T3*	686	472	214	194	TAB. A-1
EVDE-4/IM-B 100	A043141101114	100	6.00	T3*	748	533	214	220	TAB. A-1
EVDE-4/IM-B 150	A043141151114	150	7.40	T3*	748	533	214	220	TAB. A-1
EVDE-4/IM-B 250	A043141251114	250	14.80	T3	890	676	214	220	TAB. A-2
EVDE-5/IM-B 250	A043151251114	250	15.70	T3*	890	676	214	220	TAB. A-2
EVDE-5/IM-B 400	A043151401114	400	16.50	T3	970	756	214	281	TAB. A-2

*In case of maximum ambient temperature reaches +40°C and except for light/bulb oriented on top (topward), temperature class changes into T4 (ordering code to be required).

Below -20°C, the metal halide light can be used, providing they are switched on 24 hours a day

EVCC well glass lighting fixtures

EVCC version, without integrated Ex e junction box, allows standard ceiling installation.

(NA) High pressure sodium

TYPE	CODE	LAMP [W]	WEIGHT [Kg]	TEMP. CLASS	DIMENSIONS [mm]		DRAWING
					A	B	
EVCC-2/NA-B 50	A041221F01114	50**	5.50	T3*	406	162	TAB. B
EVCC-3/NA-B 50	A041231F01114	50	6.90	T3*	411	194	TAB. B
EVCC-2/NA-B 70	A041221H01114	70**	5.50	T3*	406	162	TAB. B
EVCC-3/NA-B 70	A041231H01114	70	6.90	T3*	411	194	TAB. B
EVCC-4/NA-B 100	A041241101114	100	7.10	T3*	474	220	TAB. B
EVCC-4/NA-B 150	A041241151114	150	7.90	T3*	474	220	TAB. B

*In case of maximum ambient temperature reaches +55°C and except for light/bulb oriented on top (topward), temperature class changes into T4 (ordering code to be required)

** Lamp with built-in glow discharge ignitor

(HG) Mercury vapour

TYPE	CODE	LAMP [W]	WEIGHT [Kg]	TEMP. CLASS	DIMENSIONS [mm]		DRAWING
					A	B	
EVCC-2/HG-B 50	A042221F00114	50	5.50	T3*	406	162	TAB. B
EVCC-2/HG-B 80	A042221I00114	80	5.50	T3*	406	162	TAB. B
EVCC-3/HG-B 125	A0422311B0114	125	6.90	T3	411	194	TAB. B

*In case of maximum ambient temperature reaches +55°C and except for light/bulb oriented on top (topward), temperature class changes into T4 (ordering code to be required)

Notes:

- Below -20°C, the mercury vapour light can be used, providing they are switched on 24 hours a day
- Mercury vapour light bulb is not included (banned by the European Community)

(IM) Metal halide

TYPE	CODE	LAMP [W]	WEIGHT [Kg]	TEMP. CLASS	DIMENSIONS [mm]		DRAWING
					A	B	
EVCC-3/IM-B 70	A043231H01114	70	6.90	T3*	411	194	TAB. B
EVCC-4/IM-B 100	A043241101114	100	7.10	T3*	474	220	TAB. B
EVCC-4/IM-B 150	A043241151114	150	7.90	T3*	474	220	TAB. B

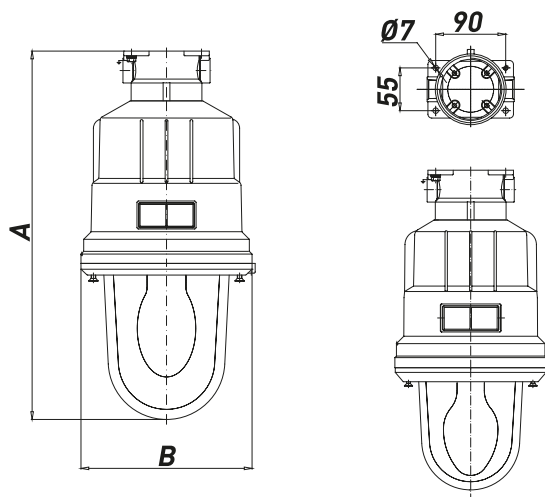
*In case of maximum ambient temperature reaches +40°C and except for light/bulb oriented on top (topward), temperature class changes into T4 (ordering code to be required)

Notes:

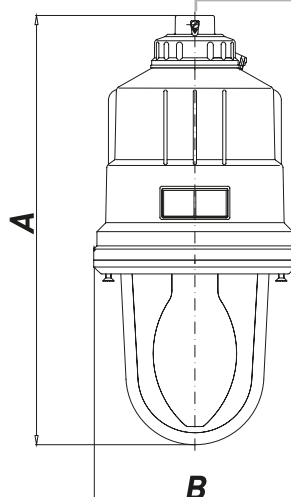
- Below -20°C, the metal halide light can be used, providing they are switched on 24 hours a day

Dimensions EVCC (H.I.D.)

TAB. B

**Dimensions EVA (H.I.D.)**

TAB. C



- Entry M25x1,5 (3/4" NPT or UNI-6125 upon request)

EVA well glass lighting fixtures

EVA version, without integrated Ex e junction box, allows standard suspension installation by conduit system and pastoral pole.

(NA) High pressure sodium

TYPE	CODE	LAMP [W]	WEIGHT [Kg]	TEMP. CLASS	DIMENSIONS [mm]		DRAWING
					A	B	
EVA-2/NA-B 50	A041321F01114	50**	5.50	T3*	400	162	TAB. C
EVA-3/NA-B 50	A041331F01114	50	6.90	T3*	404	194	TAB. C
EVA-2/NA-B 70	A041321H01114	70**	5.50	T3*	400	162	TAB. C
EVA-3/NA-B 70	A041331H01114	70	6.90	T3*	404	194	TAB. C
EVA-4/NA-B 100	A041341101114	100	7.10	T3*	467	220	TAB. C
EVA-4/NA-B 150	A041341151114	150	7.90	T3*	467	220	TAB. C

*In case of maximum ambient temperature reaches +40°C and except for light/bulb oriented on top (topward), temperature class changes into T4 (ordering code to be required)

** Lamp with built-in glow discharge ignitor

(HG) Mercury vapour

TYPE	CODE	LAMP [W]	WEIGHT [Kg]	TEMP. CLASS	DIMENSIONS [mm]		DRAWING
					A	B	
EVA-2/HG-B 50	A042321F00114	50	5.50	T3*	400	162	TAB. C
EVA-2/HG-B 80	A042321I00114	80	5.50	T3*	400	162	TAB. C
EVA-3/HG-B 125	A0423311B0114	125	6.90	T3	404	194	TAB. C

*In case of maximum ambient temperature reaches +40°C and except for light/bulb oriented on top (topward), temperature class changes into T4 (ordering code to be required)

Notes:

- Below -20°C, the mercury vapour light can be used, providing they are switched on 24 hours a day
- Mercury vapour light bulb is not included (banned by the European Community)

(IM) Metal halide

TYPE	CODE	LAMP [W]	WEIGHT [Kg]	TEMP. CLASS	DIMENSIONS [mm]		DRAWING
					A	B	
EVA-3/IM-B 70	A043331H01114	70	6.90	T3*	404	194	TAB. C
EVA-4/IM-B 100	A043341101114	100	7.10	T3*	467	220	TAB. C
EVA-4/IM-B 150	A043341151114	150	7.90	T3*	467	220	TAB. C

*In case of maximum ambient temperature reaches +40°C and except for light/bulb oriented on top (topward), temperature class changes into T4 (ordering code to be required)

Notes:

- Below -20°C, the metal halide light can be used, providing they are switched on 24 hours a day